



Overview of the 2010 ADA Standards for Accessible Design



James A. Bostrom
Deputy Chief
Disability Rights Section
U. S. Department of Justice

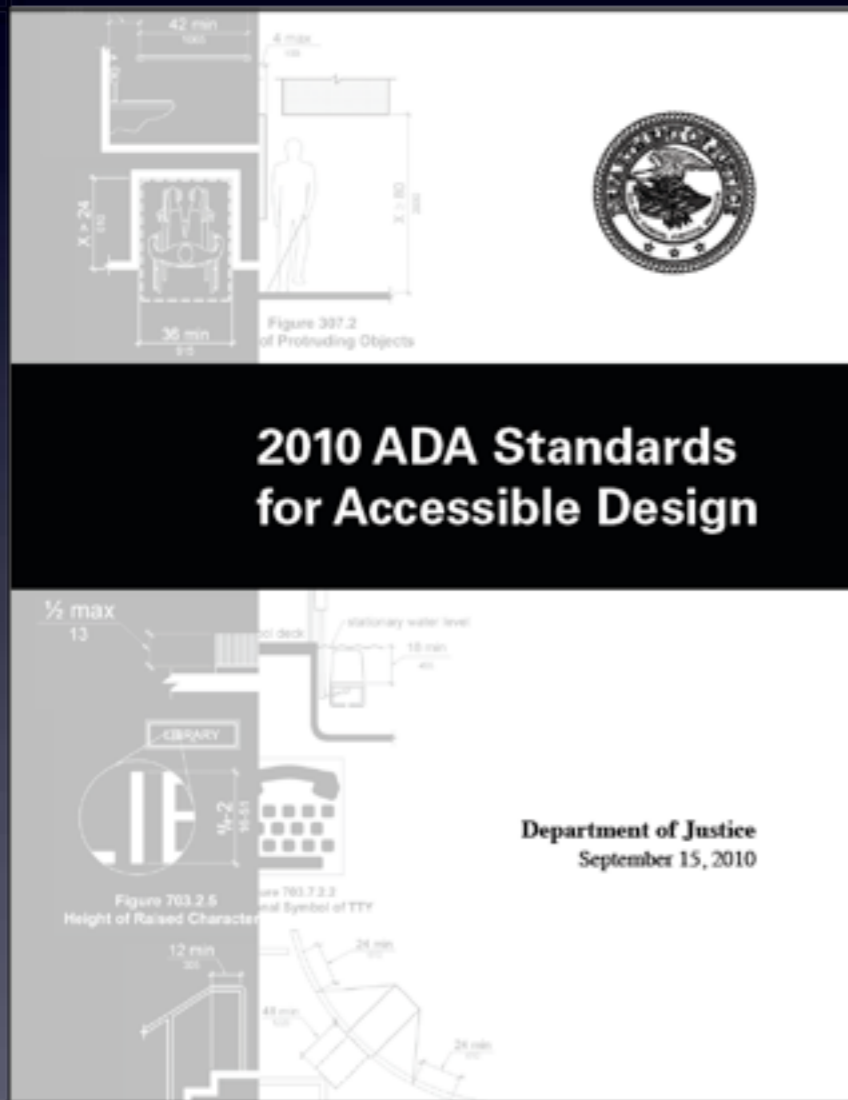
DOJ's 2010 ADA Standards



Appendices B and D to 36 CFR part 1191 (2009) -- 2004 ADA Guidelines...

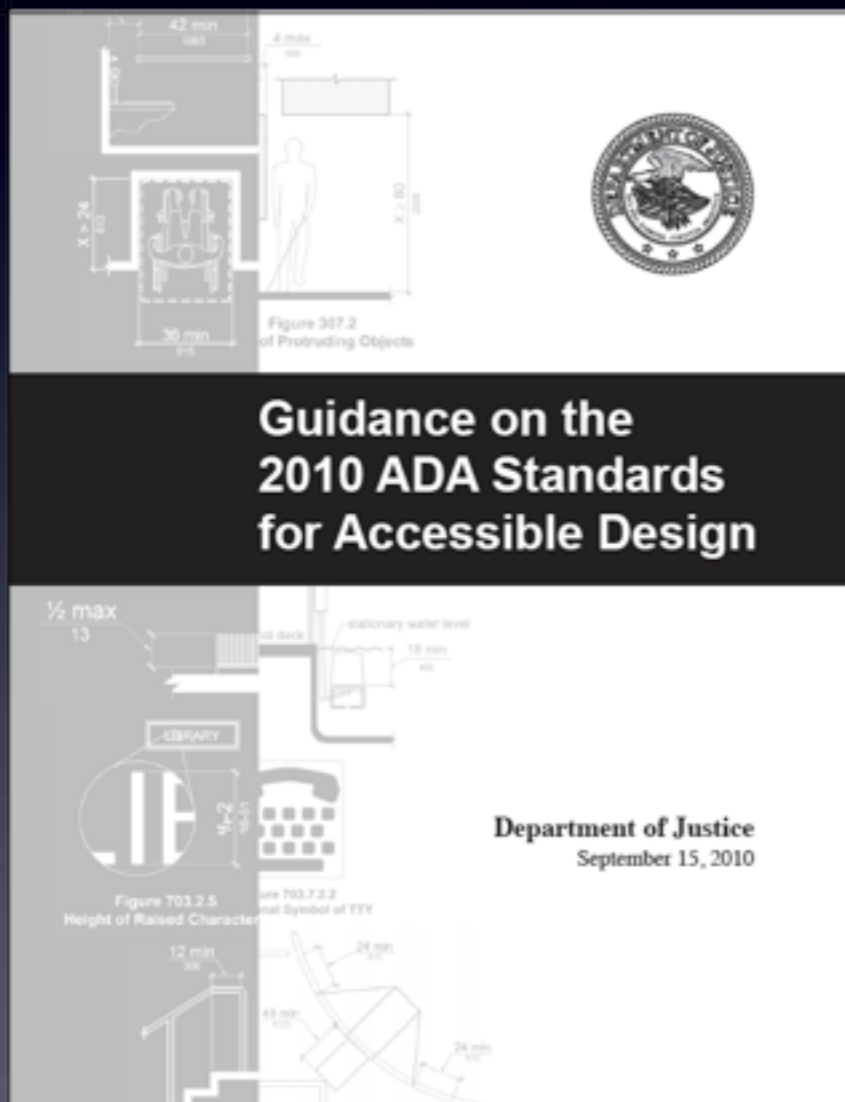
and the requirements contained in § 35.151 and subpart D of 28 CFR part 36

2010 Standards



1	Introduction.....	1
2	2010 Standards for State and Local Government Facilities: Title II.....	3
3	2010 Standards for Public Accommodations and Commercial Facilities: Title III.....	15
4	2010 Standards for Titles II and III Facilities: 2004 ADAAG.....	31

2010 Standards: Guidance



1	Introduction.....	1
2	State and Local Government Facilities: Guidance on the Revisions to 28 CFR 35.151....	3
3	Public Accommodations and Commercial Facilities: Guidance on the Revisions to 28 CFR part 36, subpart D.....	39
4	Appendix B to part 36: Analysis and Commentary on the 2010 ADA Standards for Accessible Design.....	69

2010 Standards at ADA.gov



Information and Technical Assistance on the Americans with Disabilities Act

Search ADA.gov

go

More Search Options

Design Standards

Technical Assistance Materials

Enforcement

New on ADA.gov

Gates-Chili Central School District | PDF
Letter of Findings (posted 4/13/15)

edX, Inc.
Settlement Agreement (posted 4/2/15)

LSAC
Order Extending Claims Period to April 15, 2015 (posted 3/25/15)

St. Francis Hospital and Medical Center
Resolution Agreement (posted 3/23/15)

Dentex Dental Mobile, Inc.
Settlement Agreement (posted 3/13/15)

City of Jackson, Mississippi
Motion to Revise and Extend Consent Decree (posted 3/11/15)

Williams v. City of New York
Statement of Interest (posted 3/9/15)

Rapid City, South Dakota
Project Civic Access Agreement (posted 3/2/15)

New ADA Online Complaint Form
File an ADA Complaint Electronically (posted 3/2/15)

Washington County, Missouri
Project Civic Access Agreement (posted 2/18/15)



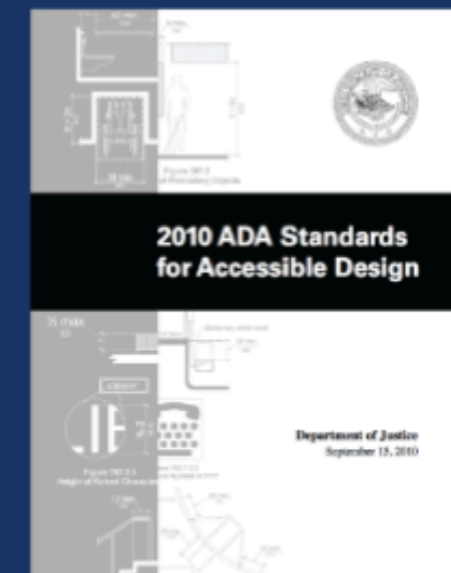
The Americans with Disabilities Act celebrates 25 years of removing barriers and empowering people.

INTRODUCTION TO THE ADA

Publications and videos that answer these questions and more: What is the ADA? Who is a person with a disability? Who must comply with the ADA? Where can you call to ask questions about the ADA?

ADA ENFORCEMENT ACTIVITIES

Featured Topics



2010 ADA Standards For Accessible Design

1 2 3 4 5 6 7 8 9 10

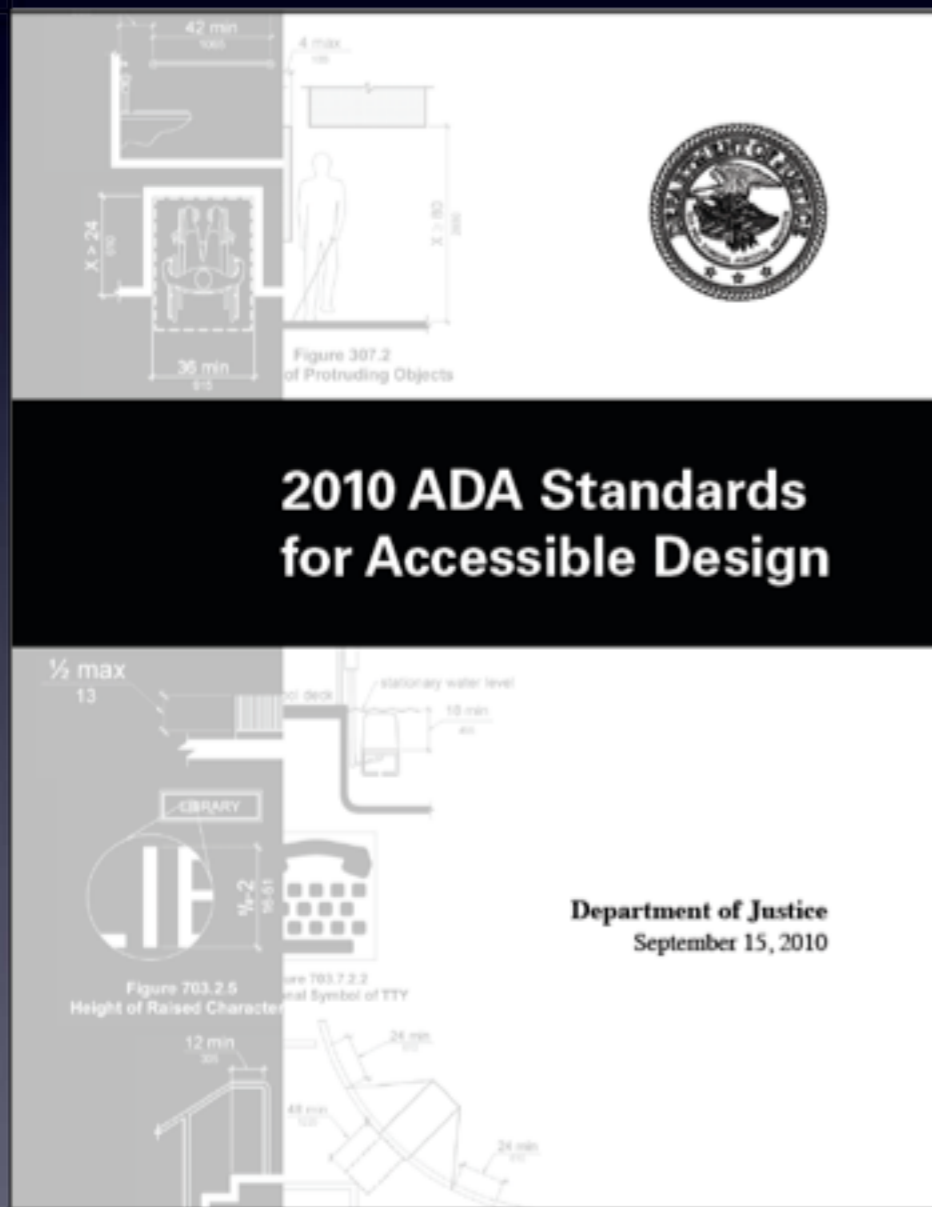
File a Complaint

Instructions for filing a complaint with the Department of Justice and for requesting accommodations for the filing process

2010 Standards Applies...

- New Construction
- Alterations
- State and local government facilities --
Physical Changes for Program
Accessibility
- Public accommodations -- Readily
Achievable Barrier Removal

Harmonized with Model Building Codes



Greatest Accessibility...

- Follow Applicable Building Code Requirement
- Follow ADA Requirement
- Choose Greatest Accessibility...
- Element by Element...

Title II & III

2010 ADA Standards

A Kit of Parts...

§ 35.151 or subpart D of 28 CFR part 36

Chapter 1 (reference standards, defined terms, etc...)

Chapter 2 Scoping Requirements

Chapters 3 - 10 Technical Requirements

Requirements Not Duplicated...

Title II 2010 Standards

28 CFR part 35.151 New Construction and Alterations

(a) Design and construction, including the exception for structural impracticability.....	6
(b) Alterations, including alterations to historic properties, path of travel, and primary function	6
(c) Accessibility standards and compliance date	9
(d) Scope of coverage.....	11
(e) Social service center establishments.....	11
(f) Housing at a place of education.....	11
(g) Assembly areas.....	12
(h) Medical care facilities	13
(i) Curb ramps.....	13
(j) Facilities with residential dwelling units for sale to individual owners.....	13
(k) Detention and correctional facilities.....	13

28 CFR part 36, subpart D — New Construction and Alterations

§ Sec.36.401 New construction.

- (a) General..... 19
- (b) Commercial facilities located in private residences..... 19
- (c) Exception for structural impracticability..... 19
- (d) Elevator exemption..... 20

§ 36.402 Alterations.

- (a) General..... 21
- (b) Alteration..... 21
- (c) To the maximum extent feasible 22

§ 36.403 Alterations: Path of travel.

- (a) General..... 22
- (b) Primary function..... 22
- (c) Alterations to an area containing a primary function..... 22
- (d) Landlord/tenant..... 23
- (e) Path of travel..... 23
- (f) Disproportionality..... 23
- (g) Duty to provide accessible features in the
event of disproportionality..... 24
- (h) Series of smaller alterations..... 24

§ 36.404 Alterations: Elevator exemption..... 25

§ 36.405 Alterations: Historic preservation..... 26

§ 36.406 Standards for new construction and alterations.


- (a) Accessibility standards and compliance date..... 26
- (b) Scope of coverage..... 27
- (c) Places of lodging..... 28
- (d) Social service center establishments..... 28
- (e) Housing at a place of education..... 29
- (f) Assembly areas..... 29
- (g) Medical care facilities..... 30

§ § 36.407—36.499 [Reserved]..... 30

Title III 2010 Standards

DOJ Regulation Text in 2010 Standards

Read with...



232.1 General. *Buildings, facilities, or portions thereof, in which people are detained for penal or correctional purposes, or in which the liberty of the inmates is restricted for security reasons shall comply with the following requirements.* [See additional requirements at 28 CFR 35.151(k), p. 13.]

Advisory 232.1 General. Detention facilities include, but are not limited to, jails, detention centers, and holding cells in police stations. Correctional facilities include, but are not limited to, prisons, reformatories, and correctional centers.

Search for **[See additional requirements...**

2010 Standards -- 2004 ADAAG

2004 ADAAG

Chapter 1: Application and Administration	37
Chapter 2: Scoping Requirements	50
Chapter 3: Building Blocks	104
Chapter 4: Accessible Routes	117
Chapter 5: General Site and Building Elements	149
Chapter 6: Plumbing Elements and Facilities	159
Chapter 7: Communication Elements	186
Chapter 8: Special Rooms, Spaces, and Elements	202
Chapter 9: Built-in Elements	219
Chapter 10: Recreational Facilities	224

2010 Standards

2004 ADAAG

Structure and Format

CHAPTER 1: APPLICATION AND
ADMINISTRATION

CHAPTER 2: SCOPING
REQUIREMENTS

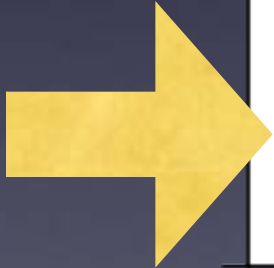
CHAPTERS 3 - 10: TECHNICAL
REQUIREMENTS

2010 Standards

Advisory text is included within the text after the provision

Advisory Language NOT enforceable

206.7.9 Team or Player Seating. Platform lifts shall be permitted to provide *accessible* routes to team or player seating areas serving *areas of sport activity*.



Advisory 206.7.9 Team or Player Seating. While the use of platform lifts is allowed, ramps are recommended to provide access to player seating areas serving an area of sport activity.

2010 Standards

Figures provided for informational purposes only -- must read text... 104.3

TECHNICAL

CHAPTER 3: BUILDING BLOCKS

303.3 Beveled. Changes in level between $\frac{1}{4}$ inch (6.4 mm) high minimum and $\frac{1}{2}$ inch (13 mm) high maximum shall be beveled with a slope not steeper than 1:2.

Advisory 303.3 Beveled. A change in level of $\frac{1}{2}$ inch (13 mm) is permitted to be $\frac{1}{4}$ inch (6.4 mm) vertical plus $\frac{1}{4}$ inch (6.4 mm) beveled. However, in no case may the combined change in level exceed $\frac{1}{2}$ inch (13 mm). Changes in level exceeding $\frac{1}{2}$ inch (13 mm) must comply with 405 (Ramps) or 406 (Curb Ramps).

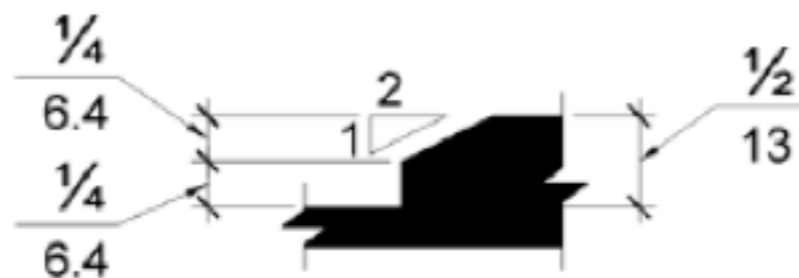


Figure 303.3
Beveled Change in Level

2010 ADA Standards

General Guidance:

Look for Chapter 2 Requirements
to Match Up with Requirements
from Chapters 3 - 10

206.4 Entrances with 404...

Chapter One

Application and Administration

101 Purpose

102 Dimensions for Adults and Children

103 Equivalent Facilitation

104 Conventions

105 Referenced Standards

106 Definitions

104.1.1 Construction and Manufacturing Tolerances

Construction and Manufacturing Tolerances

All dimensions are subject to conventional industry tolerances except where the requirement is stated as a range with specific minimum and maximum end points.

Chapter Two

Scoping Requirements

201 - 243 (53 pages)

Section 201.1 Scope

All areas of newly designed and newly constructed buildings and facilities and altered portions of existing buildings and facilities shall comply with these requirements.



Section 201.2

Application Based on Building or Facility Use.

Where a site, building, facility, room, or space contains more than one use, each portion shall comply with the applicable requirements for that use.

Section 202.3 Alterations

Where existing elements or spaces are altered, **each altered element or space** shall comply with the applicable requirements of Chapter 2.

Check definition of Alteration at section 106.5...

Section 202.2 Additions

Each **addition** to an existing building or facility shall comply with the requirements for **new construction**.

Each **addition** that affects or could affect the usability of or access to an area containing a primary function shall comply with 202.4.

Section 202.4

Alterations Affecting Primary Function Areas

For title II facilities, read with
35.151(b)(4) Path of Travel.

For title III facilities, read with 36.403
Alterations, Path of Travel

Residential dwelling units are not
required to comply with 202.4

Where's the Accessible Route?



Section 206

Accessible Routes

206.3 Location

Accessible routes shall coincide with or be located in the same area as general circulation paths. Where circulation paths are interior, required accessible routes shall also be interior.

206.3 Location



Chapter 3: Building Blocks

302 Floor or Ground Surfaces

303 Changes in Level

304 Turning Space

305 Clear Floor or Ground Space

306 Knee and Toe Clearance

307 Protruding Objects

308 Reach Ranges

309 Operable Parts

Reach Ranges

48 inches max -- 15 inches min

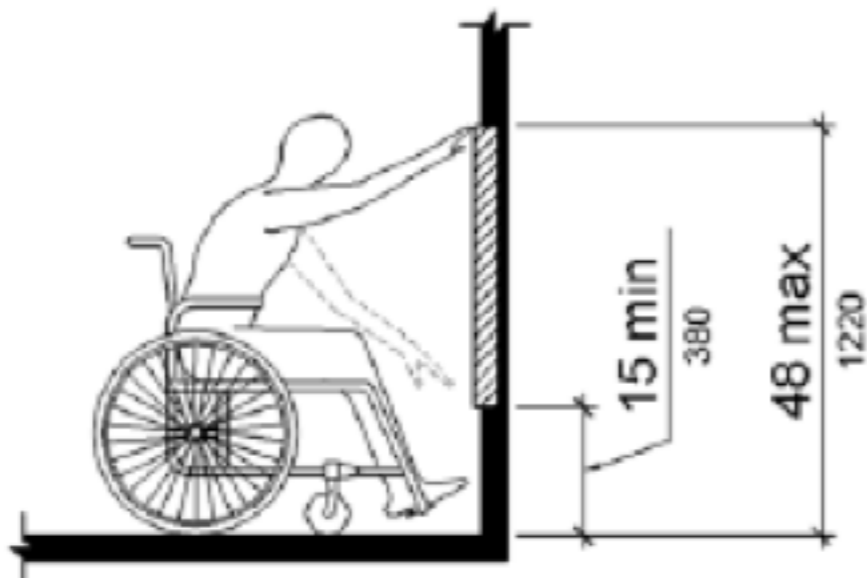


Figure 308.2.1
Unobstructed Forward Reach

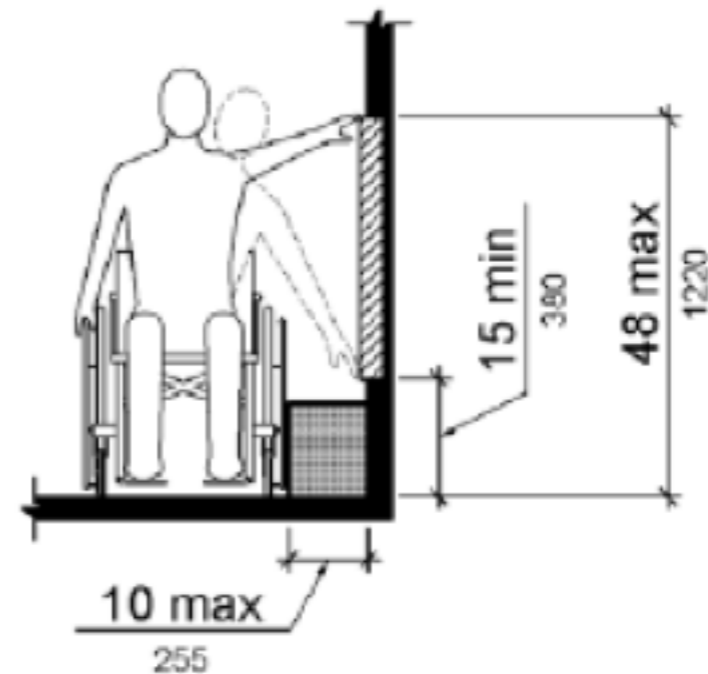
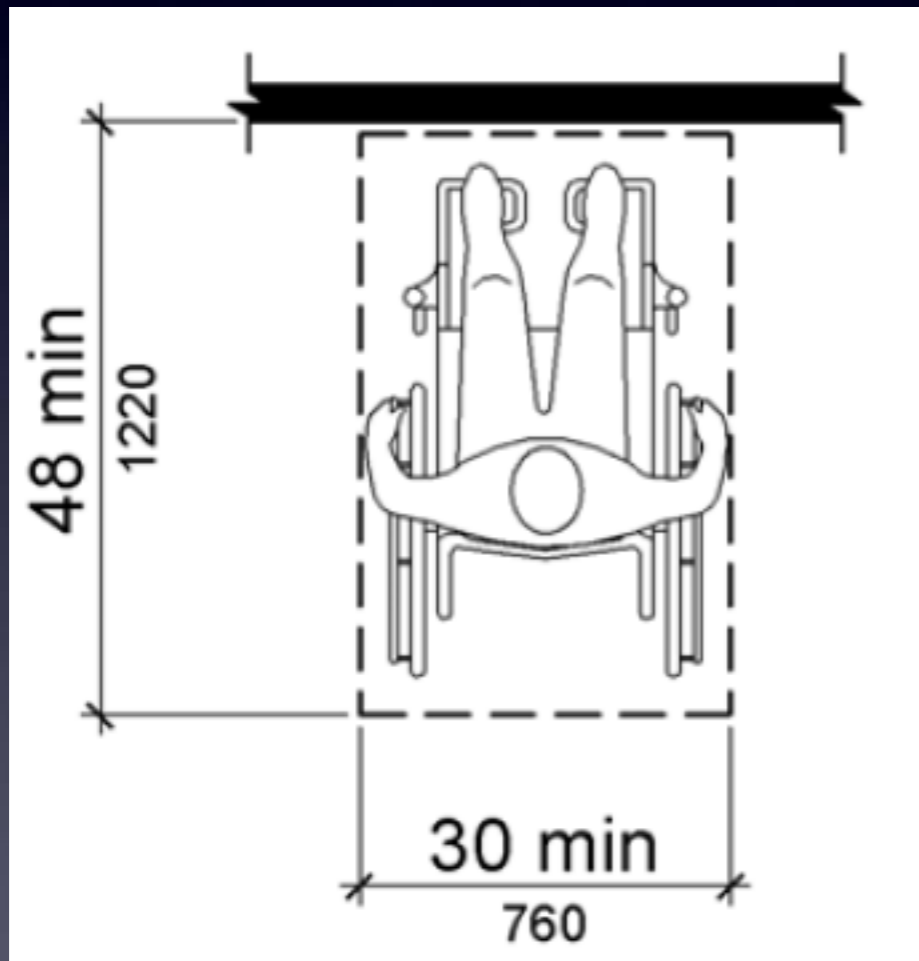


Figure 308.3.1
Unobstructed Side Reach

Building Blocks



305 Clear Floor Space



305 Clear Floor Space?



307 Protruding Objects

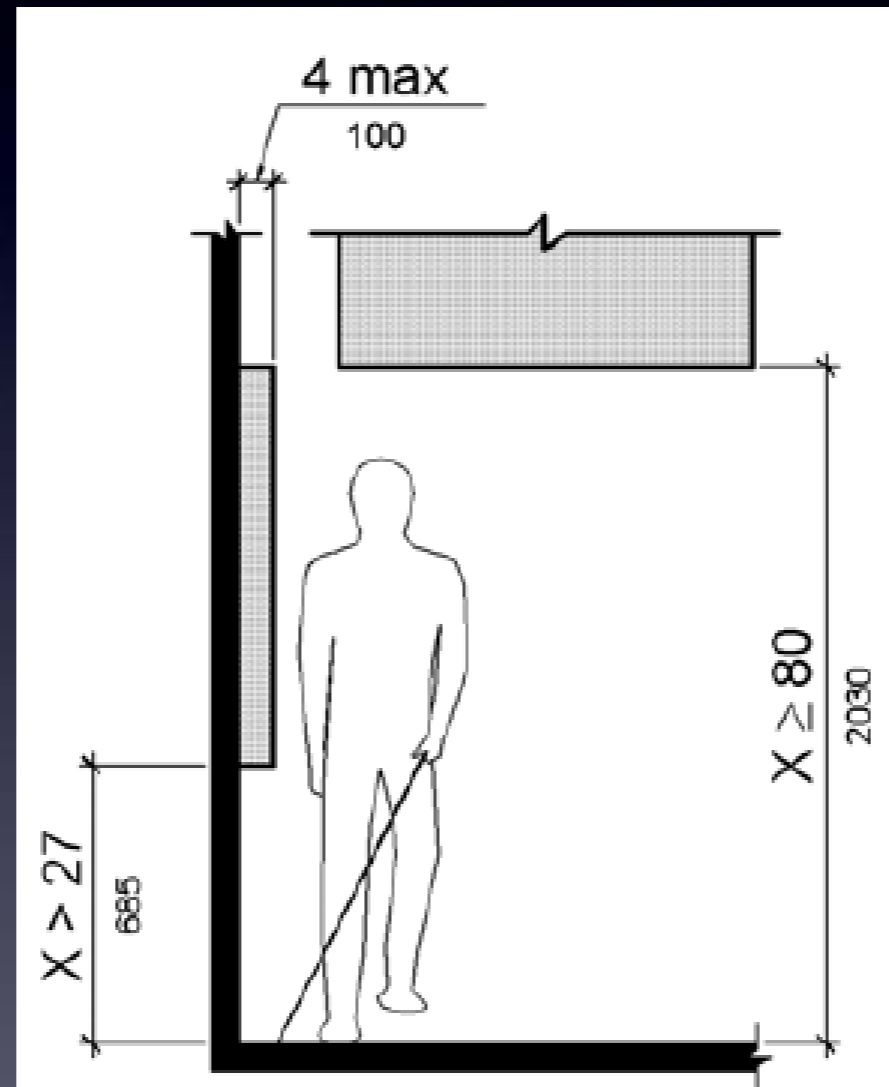
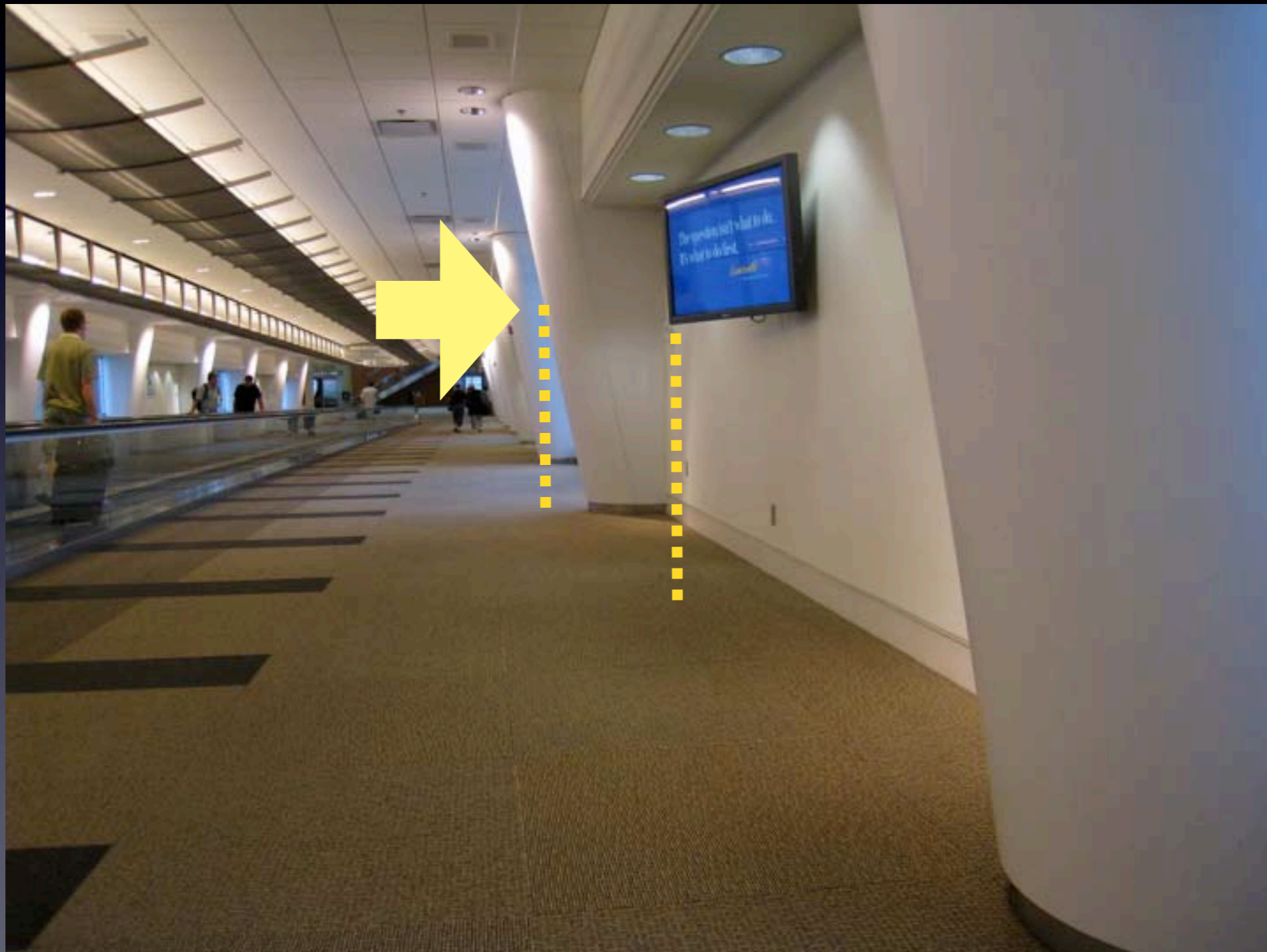
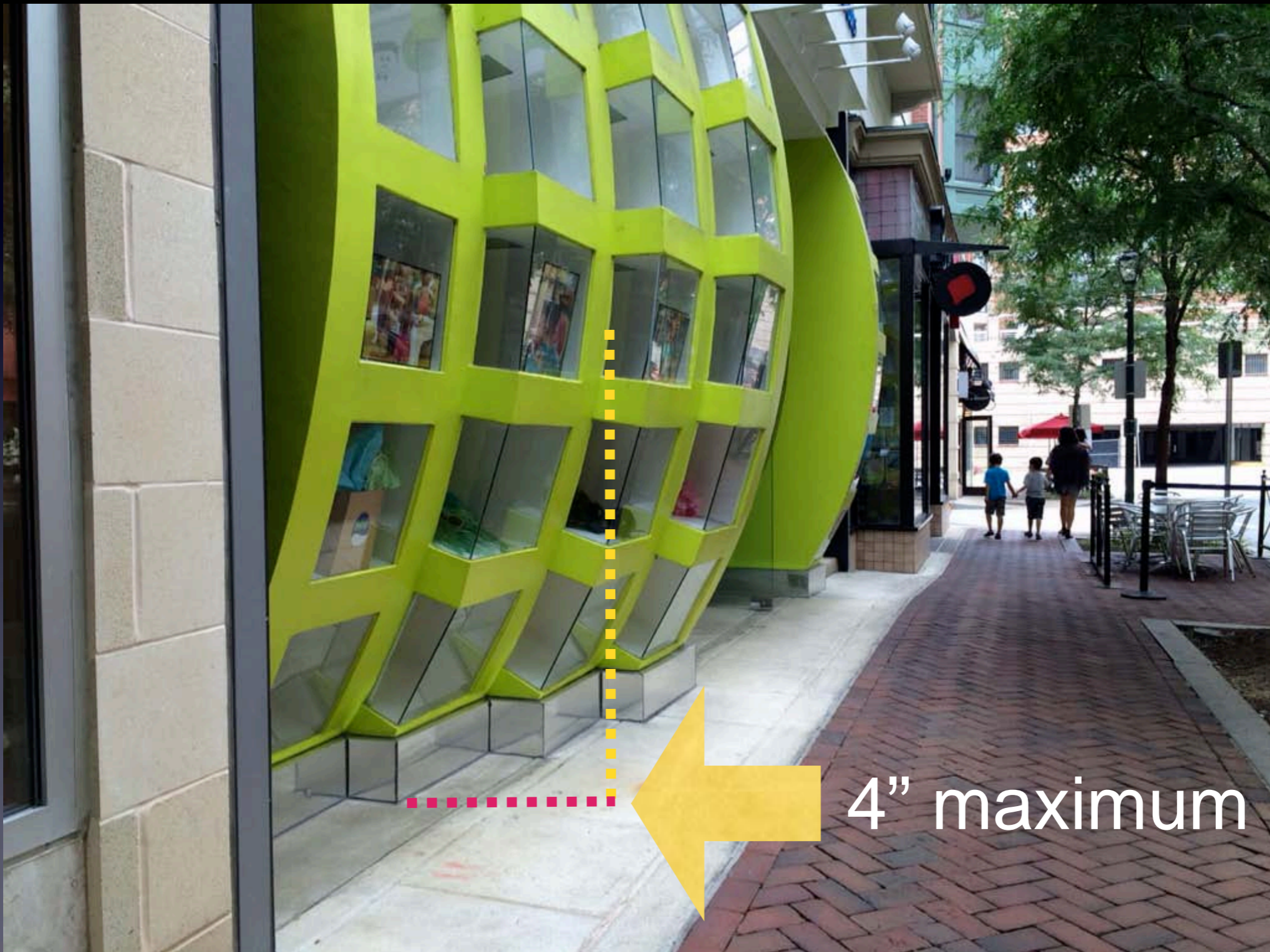


Figure 307.2
Limits of Protruding Objects

Protruding Objects



Protruding Object



Protruding Object?



No Protruding Object...



Recessed Hand Dryer



Surface Mount Hand Dryer

4" maximum,
wall to face
of element



307 Protruding Objects

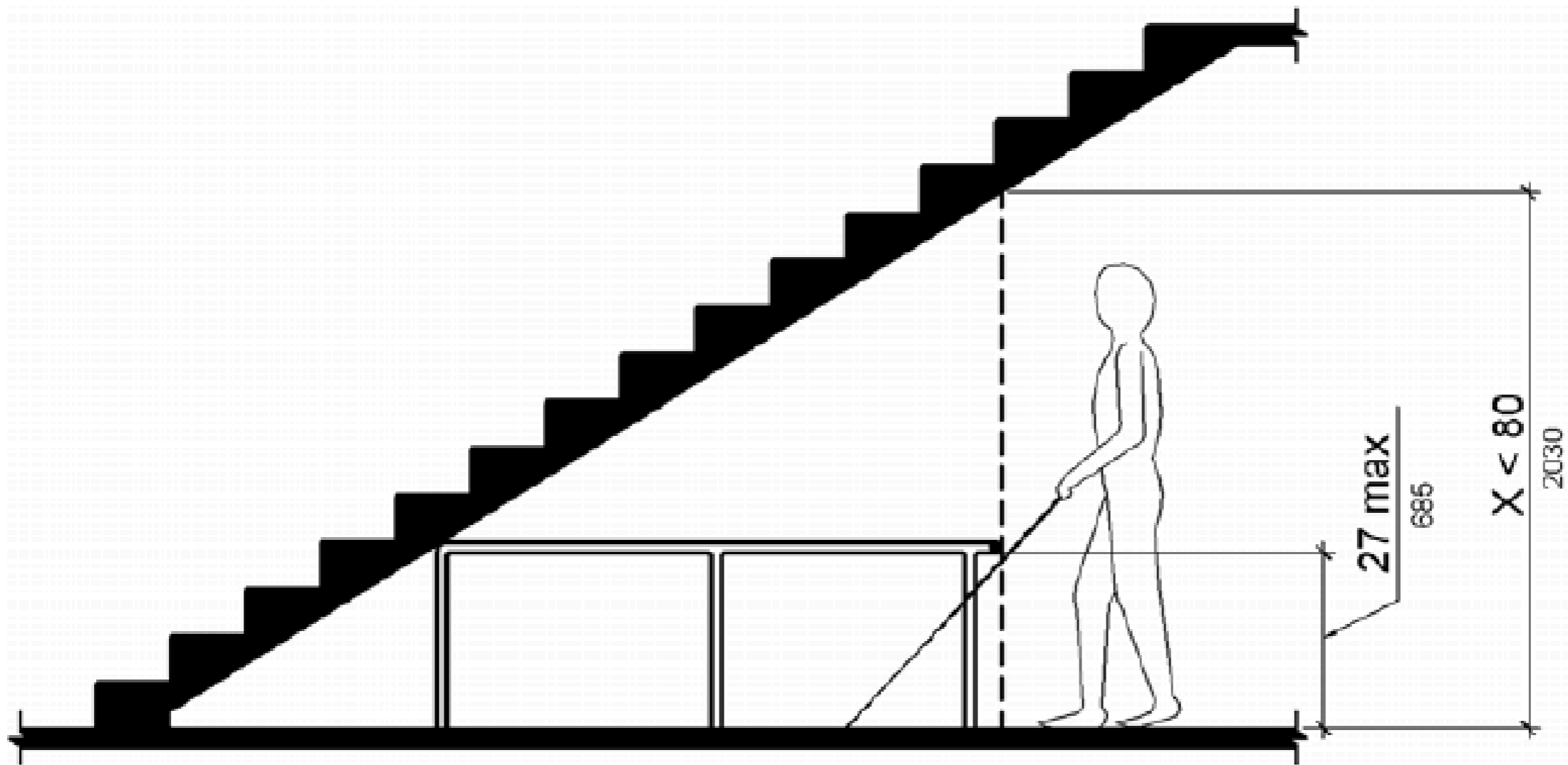
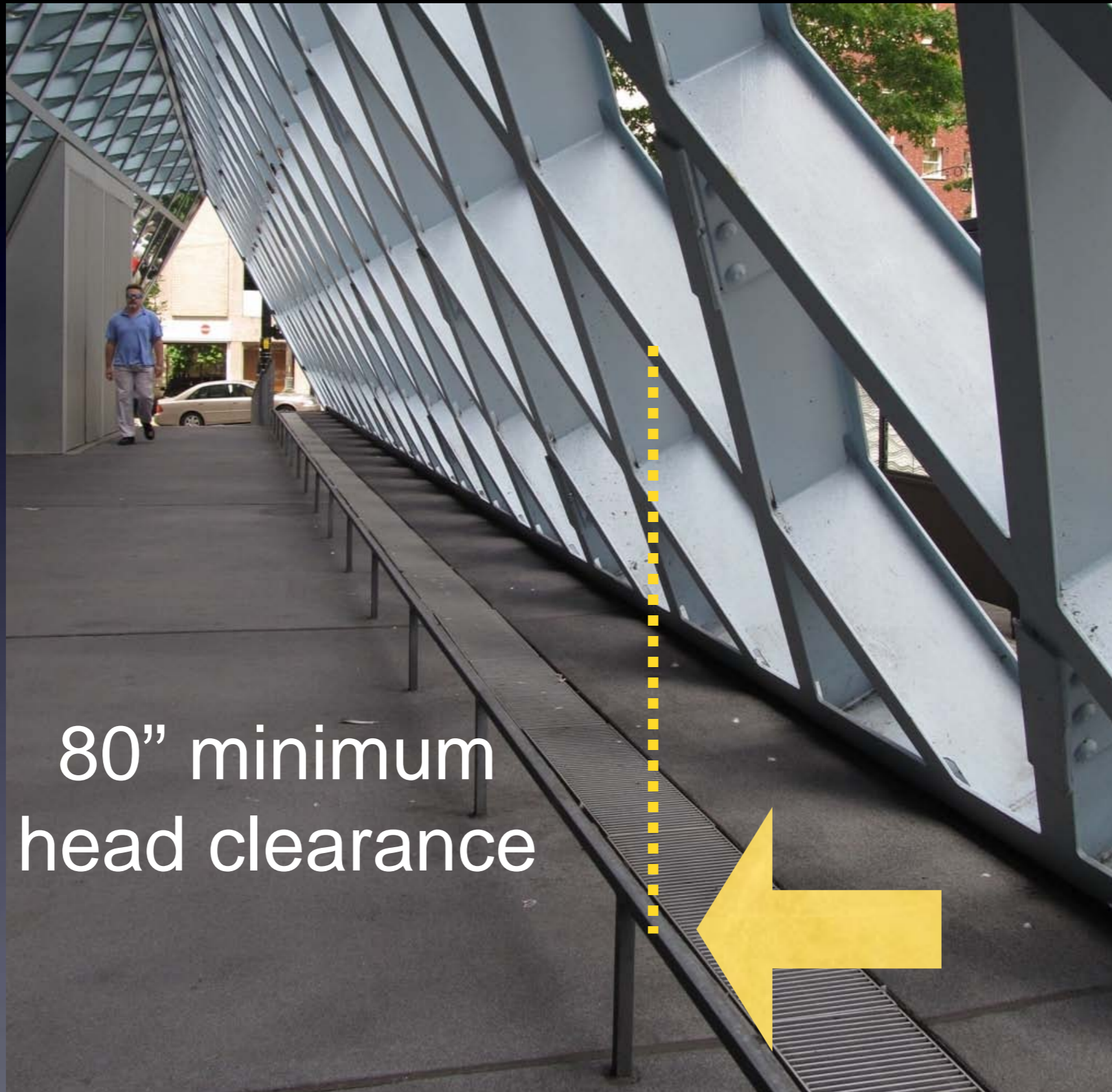


Figure 307.4
Vertical Clearance

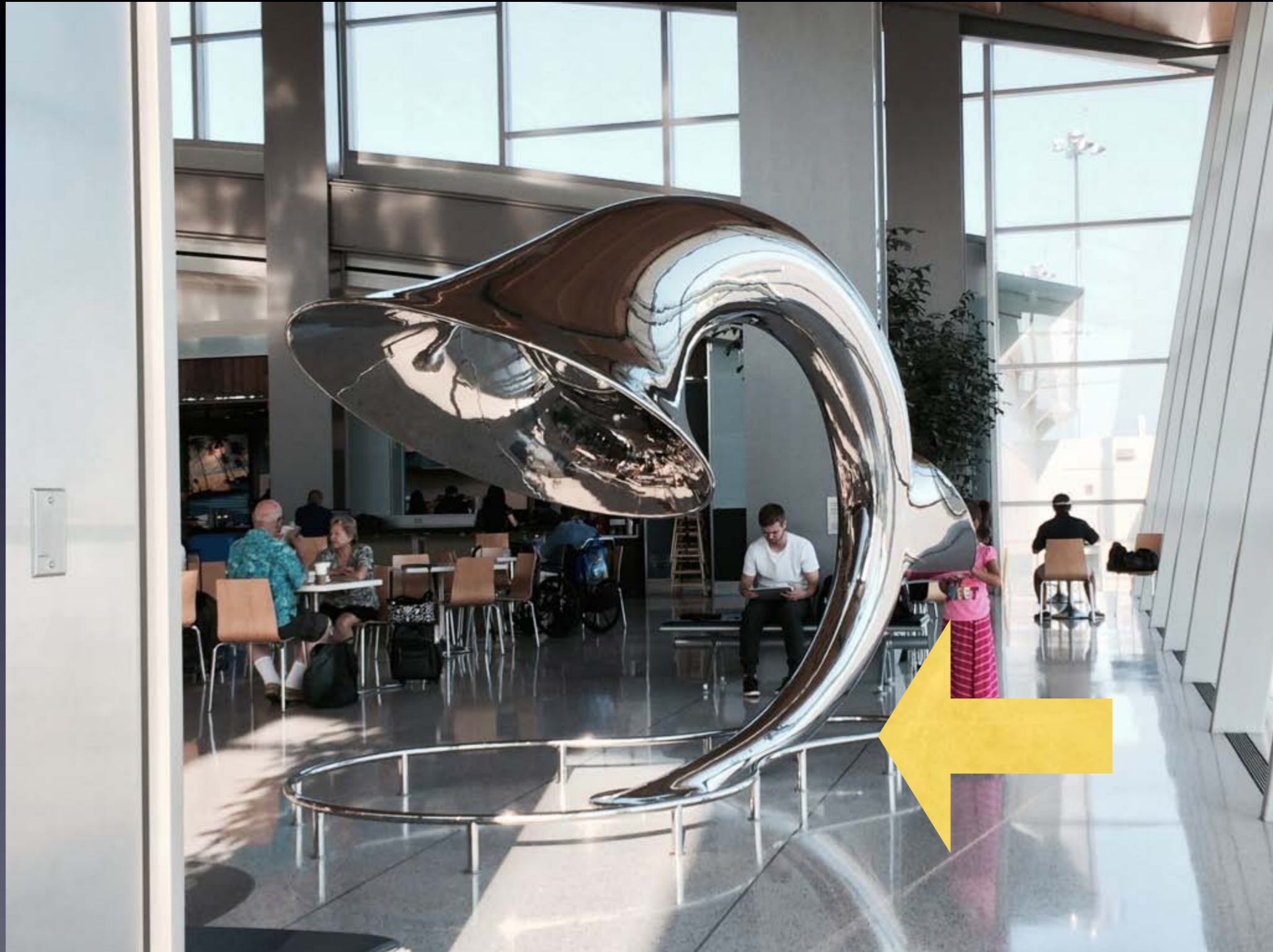
Permanent Railing



Protruding Object?



Detectable Rail



Operable Part: Door Latch



308.1 Advisory Children's Reach

Advisory 308.1 General. The following table provides guidance on reach ranges for children according to age where building elements such as coat hooks, lockers, or operable parts are designed for use primarily by children. These dimensions apply to either forward or side reaches. Accessible elements and operable parts designed for adult use or children over age 12 can be located outside these ranges but must be within the adult reach ranges required by 308.

Children's Reach Ranges

Forward or Side Reach	Ages 3 and 4	Ages 5 through 8	Ages 9 through 12
High (maximum)	36 in (915 mm)	40 in (1015 mm)	44 in (1120 mm)
Low (minimum)	20 in (510 mm)	18 in (455 mm)	16 in (405 mm)

Chapter 4

Accessible Routes

Components

Walking Surfaces

Doors, Doorways, and Gates

Ramps

Curb Ramps

Elevators

Limited-Use/Limited-Application Elevators

Private Residence Elevators

Platform Lifts

403 Walking Surfaces

surface

slope

changes in level

clearances

handrails -- **new**



Chapter 5 General Site and Building Elements

Parking Spaces

Passenger
Loading Zones

Stairways

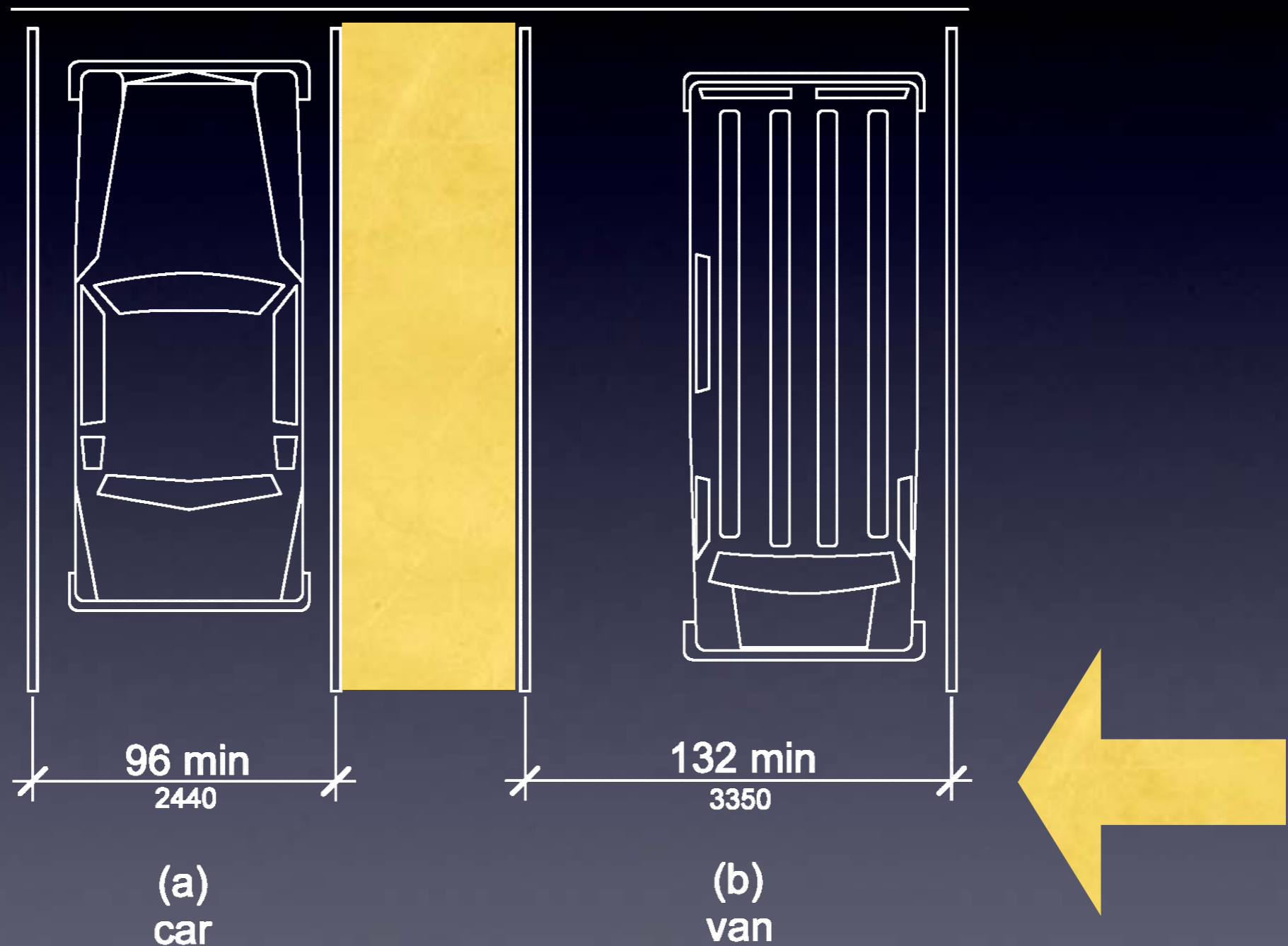
Handrails



Parking in Wide Access Aisle...



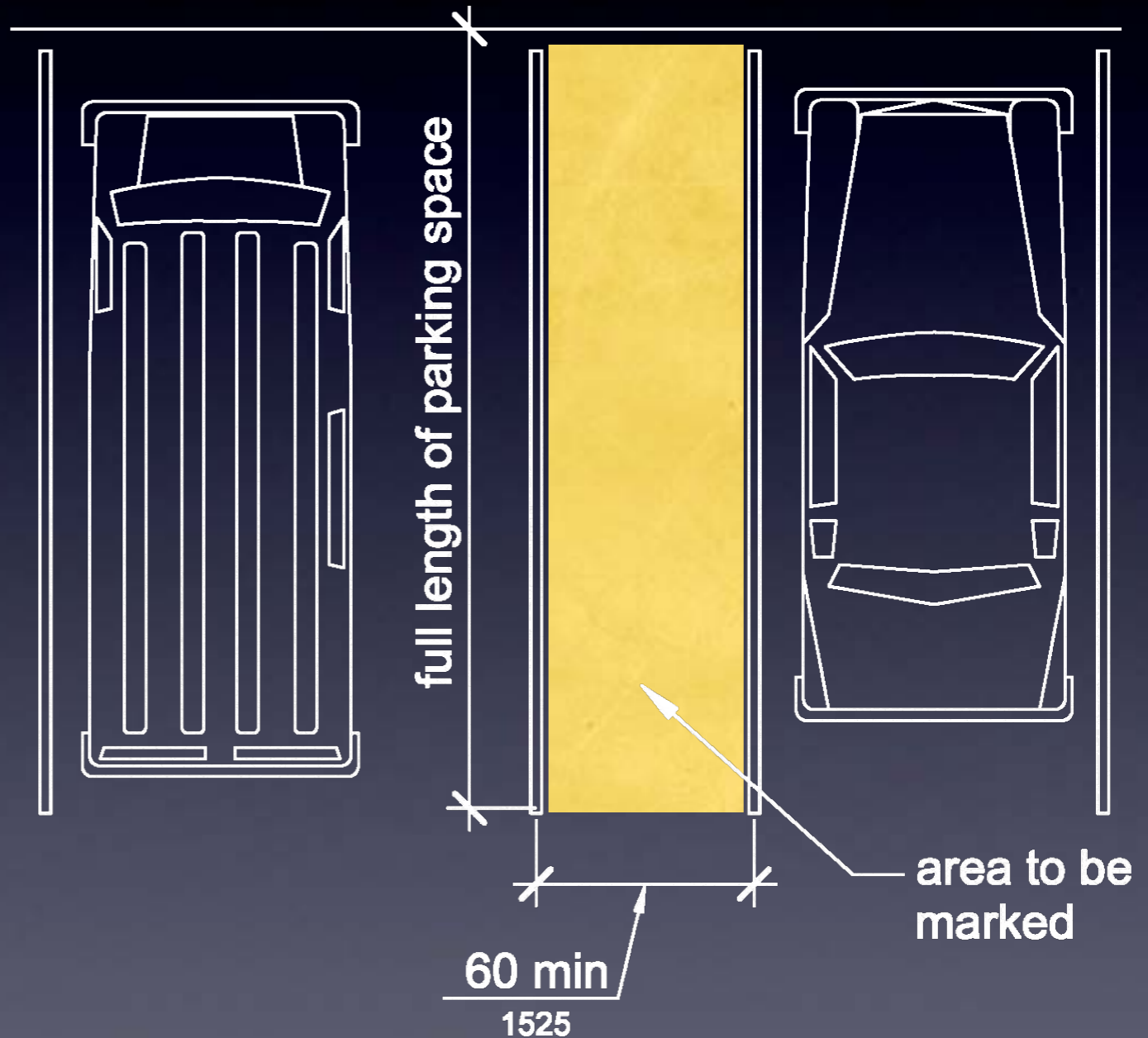
Five-foot Access Aisle



Width of van spaces = 132 inches minimum

Five-foot Access Aisle

Exception to 502.2 allows van spaces to be min. 96 inches wide with a min. 96 inch wide access aisle



Width of car spaces = 96 inches minimum

Accessible Parking Signs

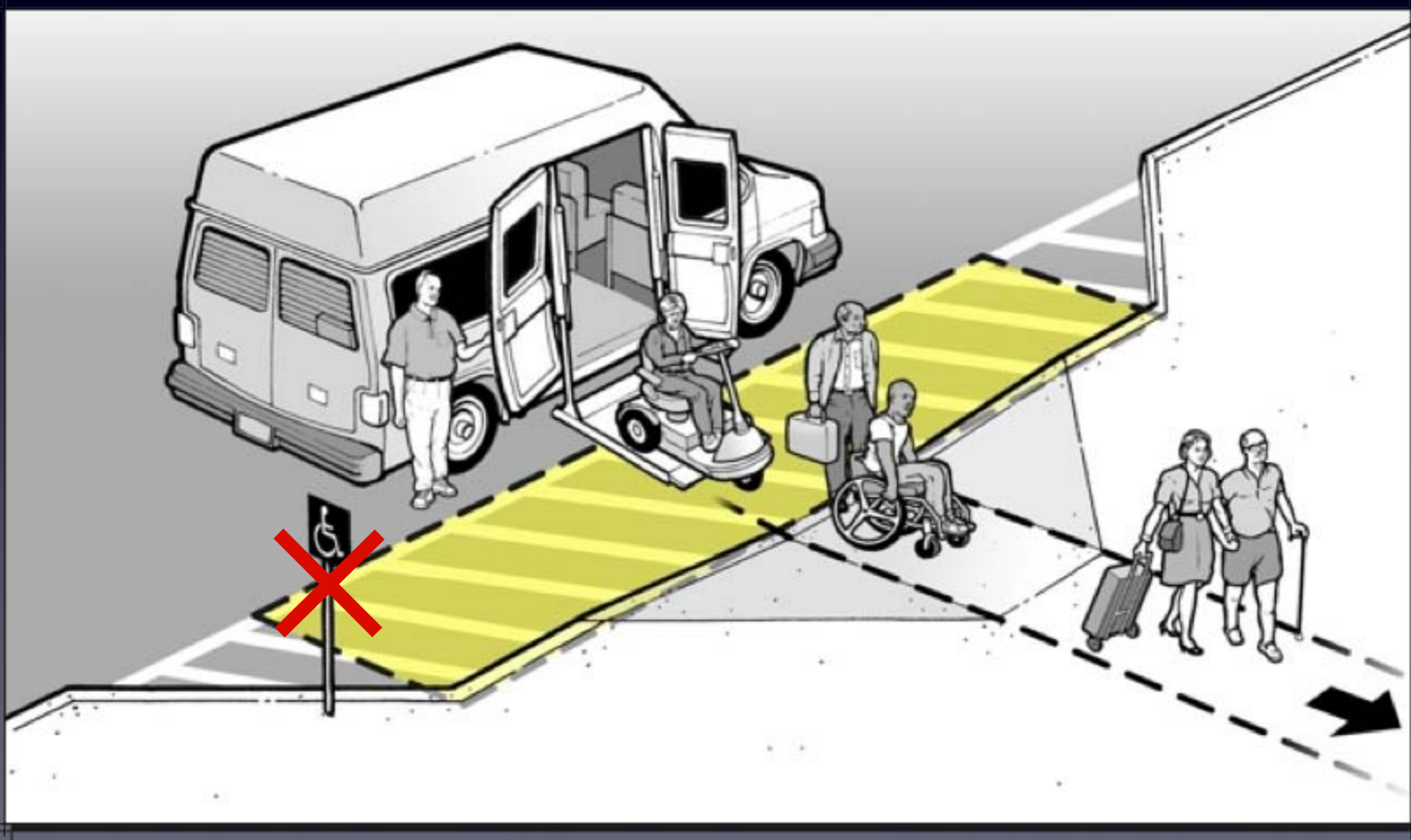
Section 502.6 Identification



60 inches min.

Passenger Loading Zones

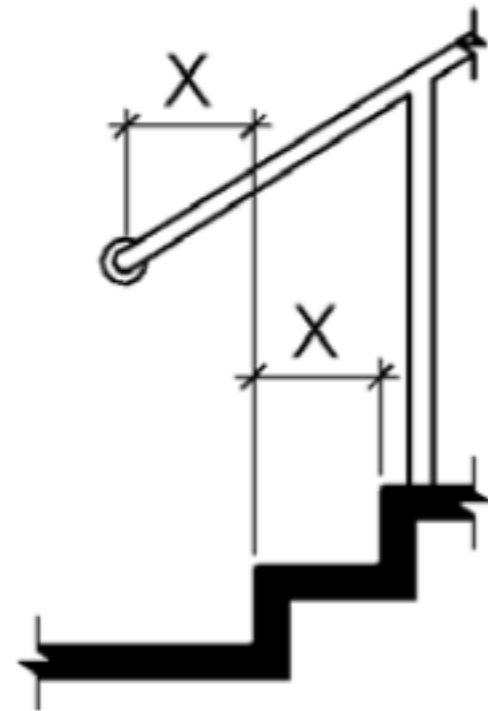
Sections 209 and 503



504 Stairways



505 Handrails



Note: X = tread depth

Figure 505.10.3
Bottom Handrail Extension at Stairs

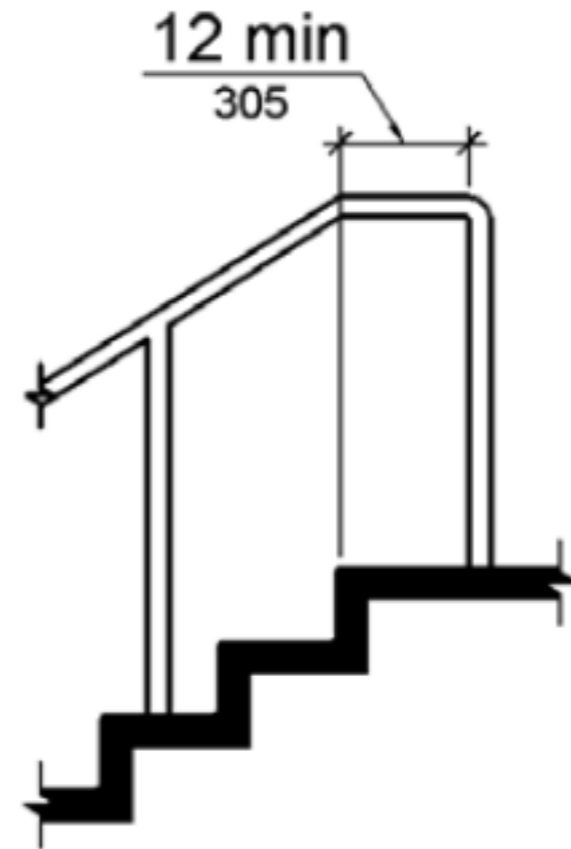


Figure 505.10.2
Top Handrail Extension at Stairs

505 Handrails

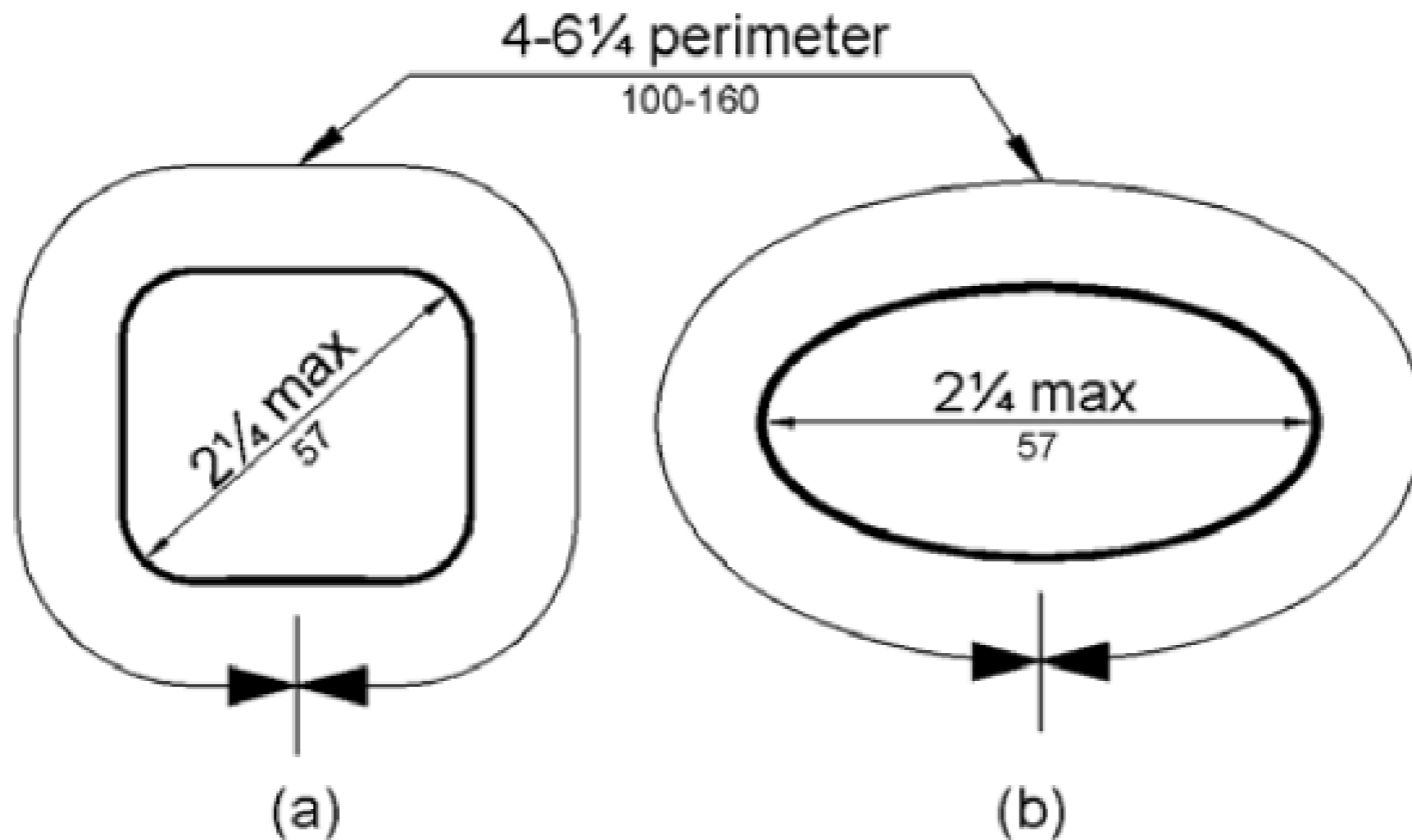


Figure 505.7.2
Handrail Non-Circular Cross Section

505 Handrails

307.2 Protrusion Limits. Objects with leading edges more than 27 inches (685 mm) and not more than 80 inches (2030 mm) above the finish floor or ground shall protrude 4 inches (100 mm) maximum horizontally into the circulation path.

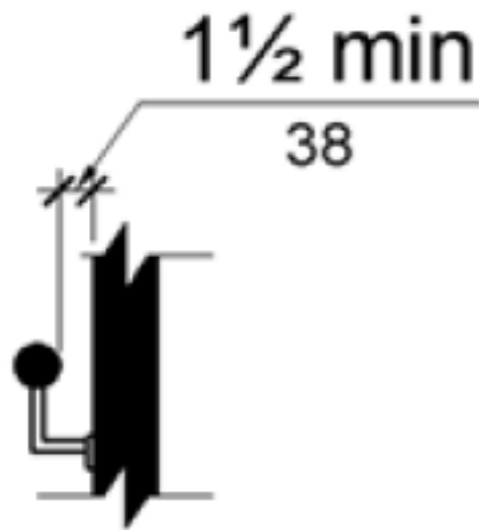


Figure 505.5
Handrail Clearance

EXCEPTION: Handrails shall be permitted to protrude **4 1/2 inches** (115 mm) maximum

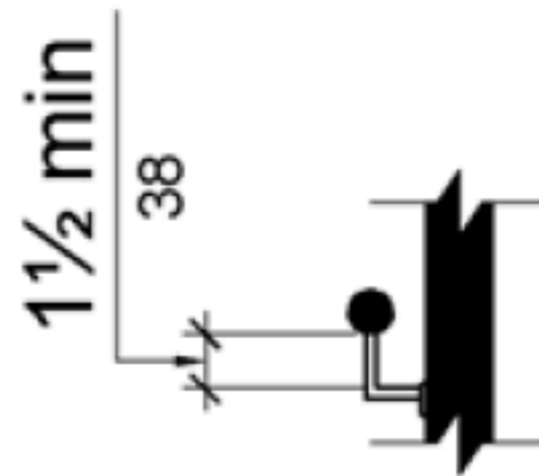


Figure 505.6
Horizontal Projections Below Gripping Surface

Chapter 6 Plumbing Elements and Facilities

Drinking Fountains

Toilet and Bathing Rooms

Water Closets and Toilet Compartments

Urinals

Lavatories and Sinks

Bathtubs

Shower Compartments

Grab Bars

Seats

Washing Machines and Clothes Dryers

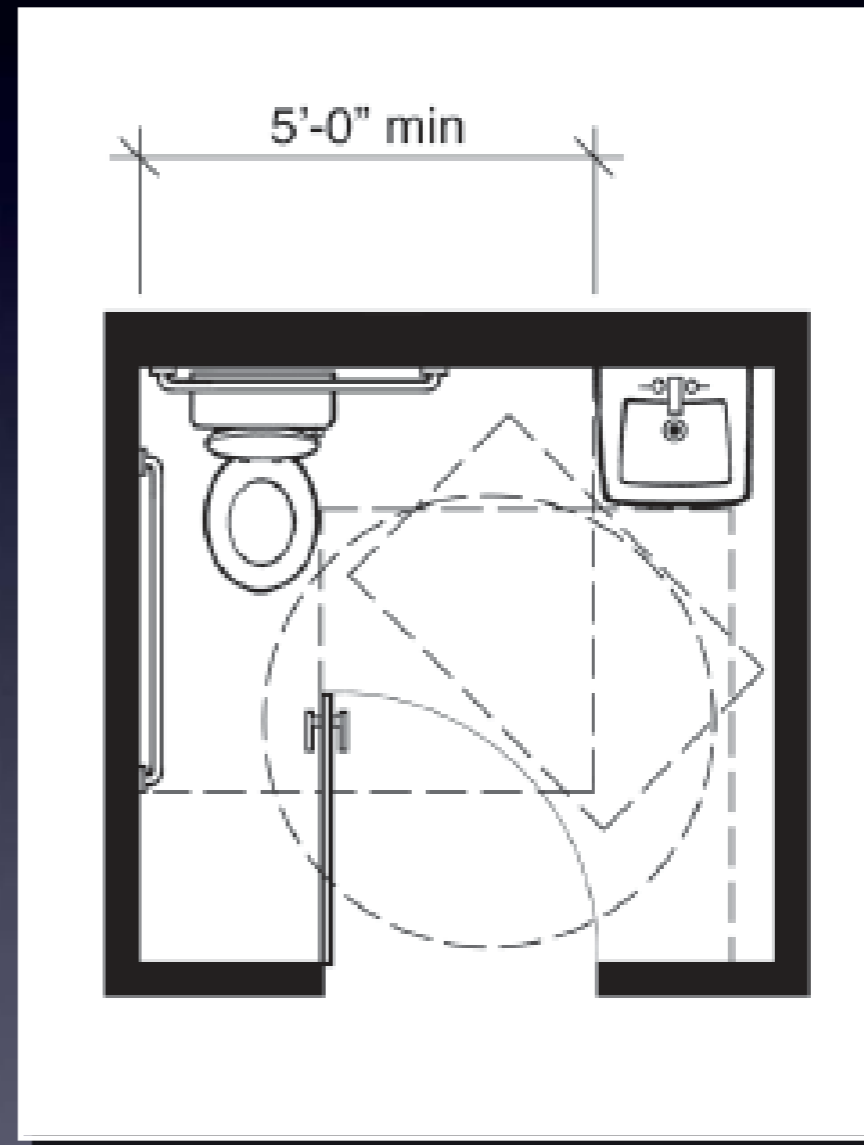
Saunas and Steam Rooms

213 & Chapter 6: Toilet and Bathing Facilities



213 Toilet Facilities and Bathing Facilities

Single-User Toilet Rooms (clustered) -- no more than 50% at each cluster complies with 603



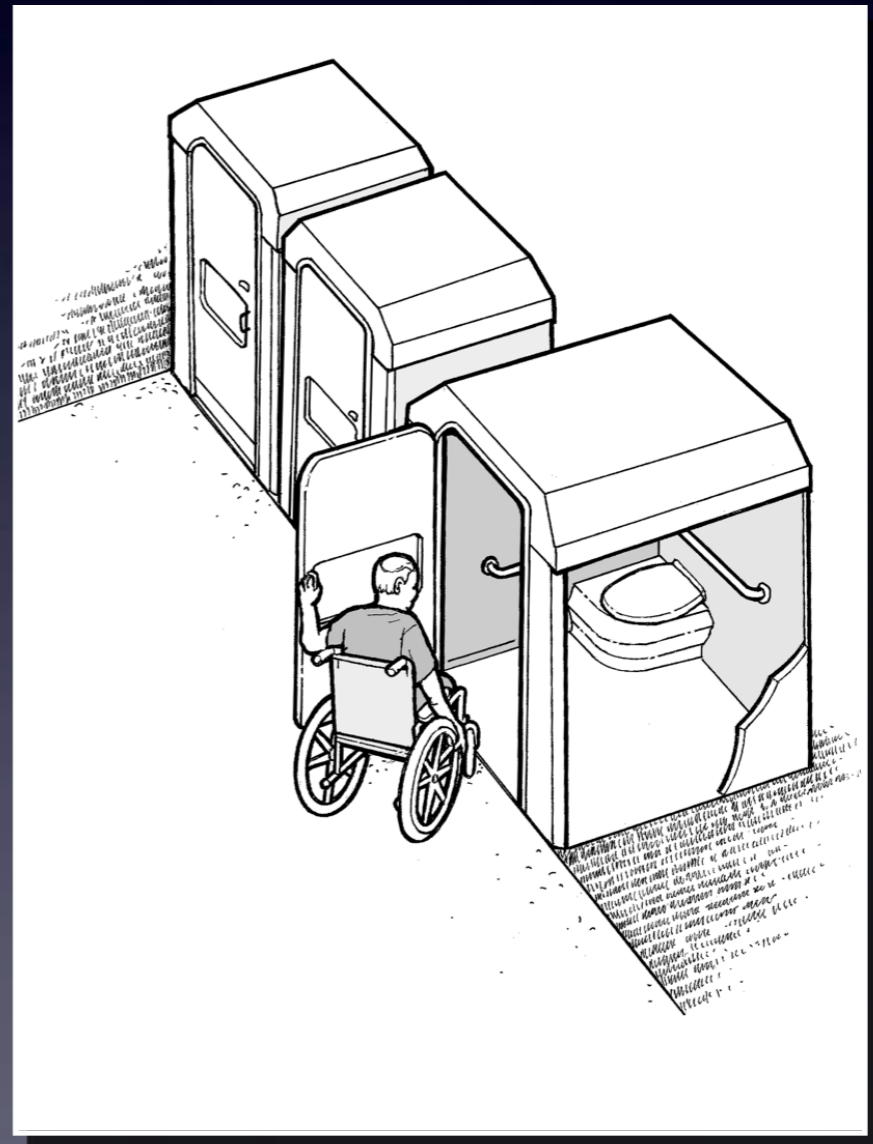
213 Toilet Facilities and Bathing Facilities

Ambulatory
Accessible
Compartment --
when 6 or more
toilets or toilets
and urinals



213 Toilet Facilities and Bathing Facilities

Single-User
Portable Toilets
-- no more than
5% at each
cluster complies
with 603 and
identified with
international
symbol



213.3.3

More than One...



Lavatory Height



27 inches minimum

Children's Use

604.9 Water Closets and Toilet Compartments for Children's Use. Water closets and toilet compartments for *children's use* shall comply with 604.9.

Advisory 604.9 Water Closets and Toilet Compartments for Children's Use. The requirements in 604.9 are to be followed where the exception for children's water closets in 604.1 is used. The following table provides additional guidance in applying the specifications for water closets for children according to the age group served and reflects the differences in the size, stature, and reach ranges of children ages 3 through 12. The specifications chosen should correspond to the age of the primary user group. The specifications of one age group should be applied consistently in the installation of a water closet and related elements.

604.7 Dispenser Outlet Location

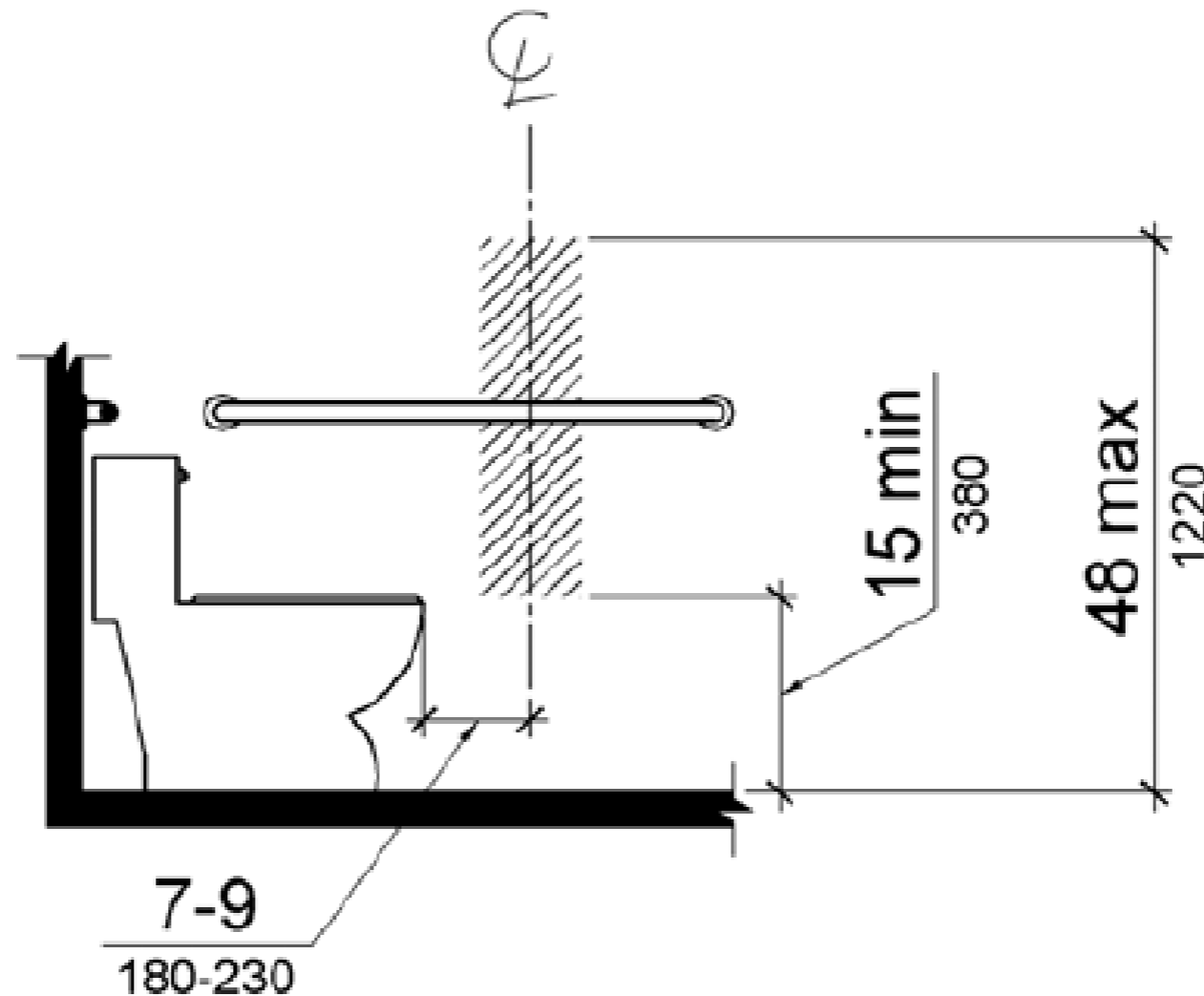


Figure 604.7
Dispenser Outlet Location

609.3 Spacing

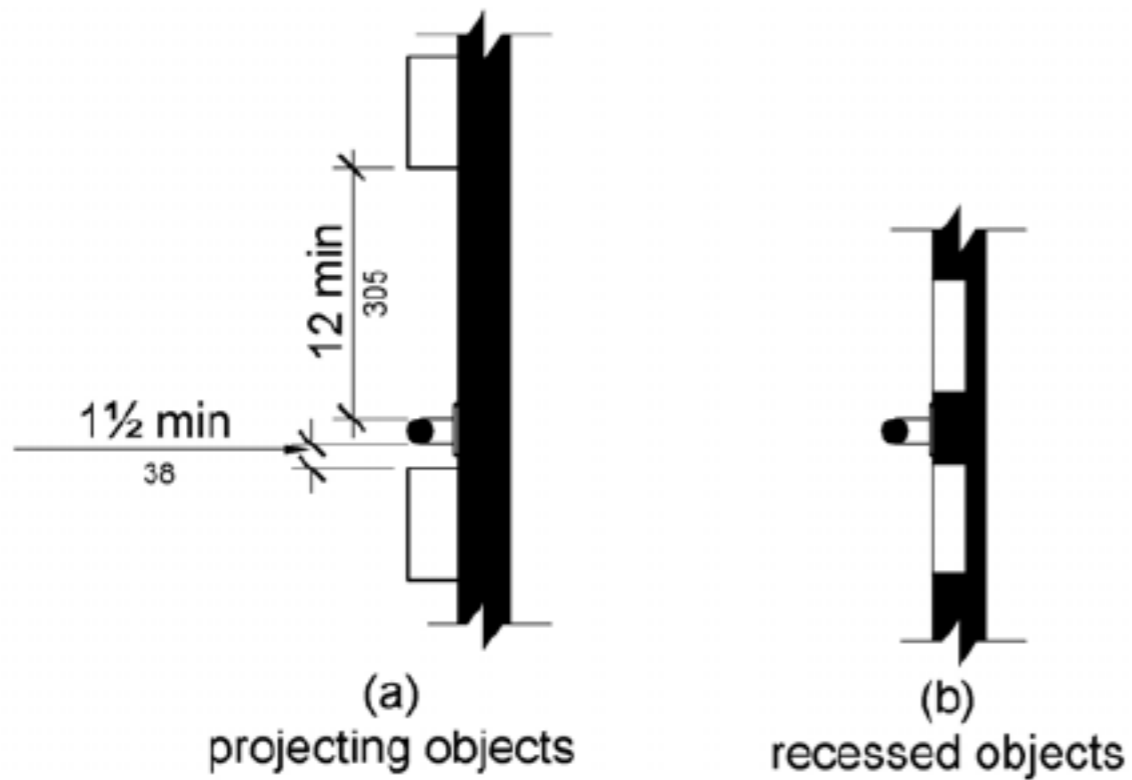


Figure 609.3
Spacing of Grab Bars



Clearance Below Grab Bar



Toilet Location



Lavatory in Compartment



Roll-In Shower w/ seat



Chapter 7 Communication Elements and Features

Fire Alarm Systems -- NFPA 72 (1999 or 2002)

Signs

Telephones

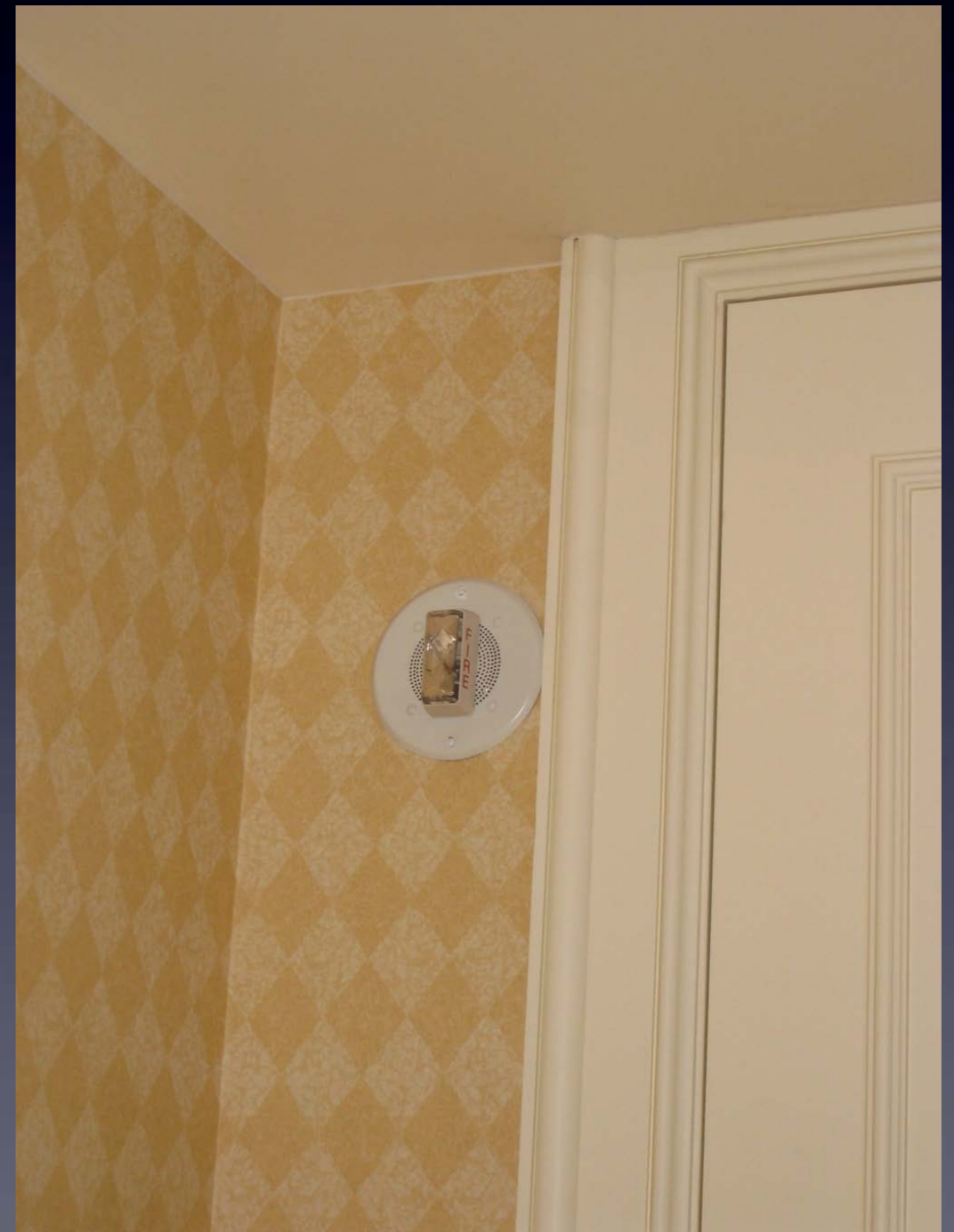
Detectable Warnings

Assistive Listening Systems

Automatic Teller Machines and Fare Machines

Two-Way Communication Systems

215 and 702 Fire Alarm Systems



Signs and Signage

216 and 703

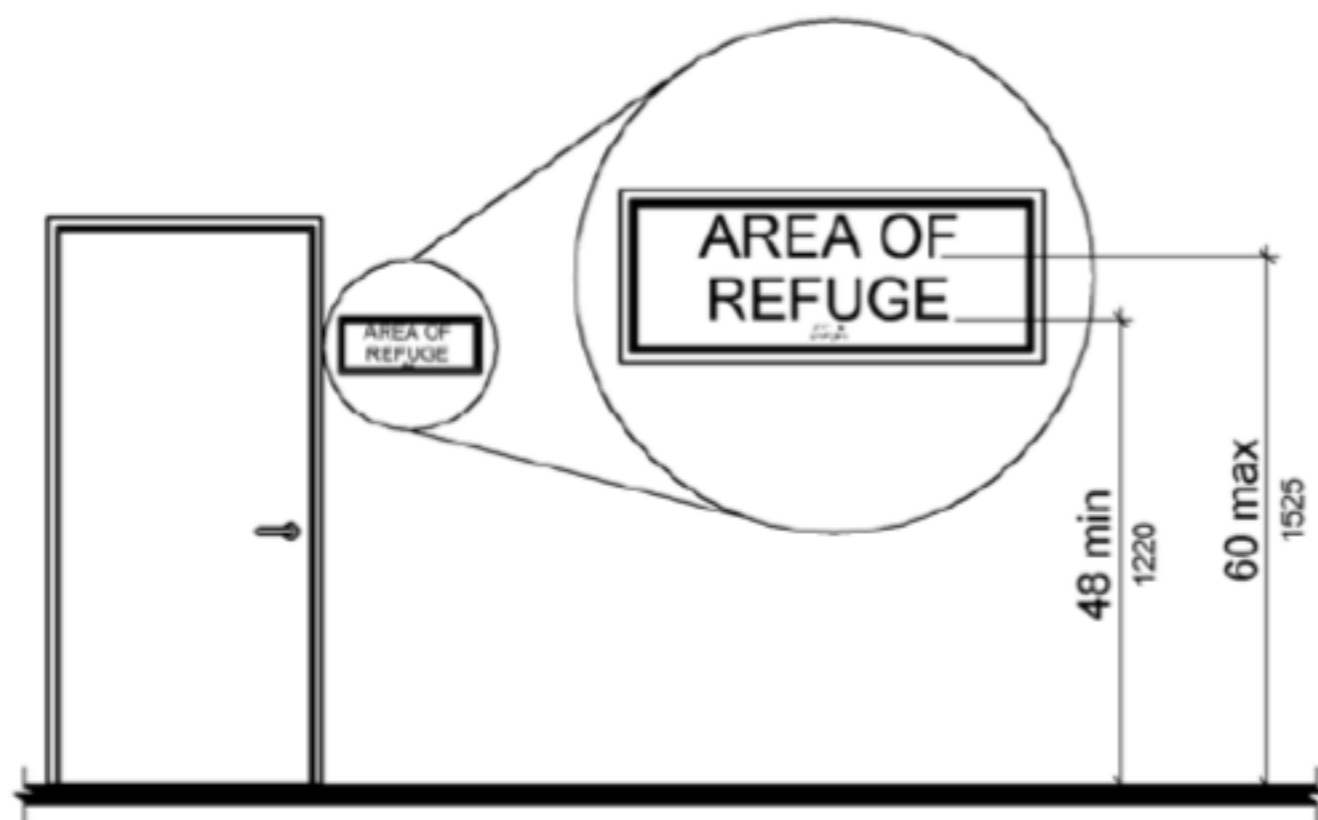


Figure 703.4.1

Height of Tactile Characters Above Finish Floor or Ground



Tactile Signs

Raised Characters and Braille

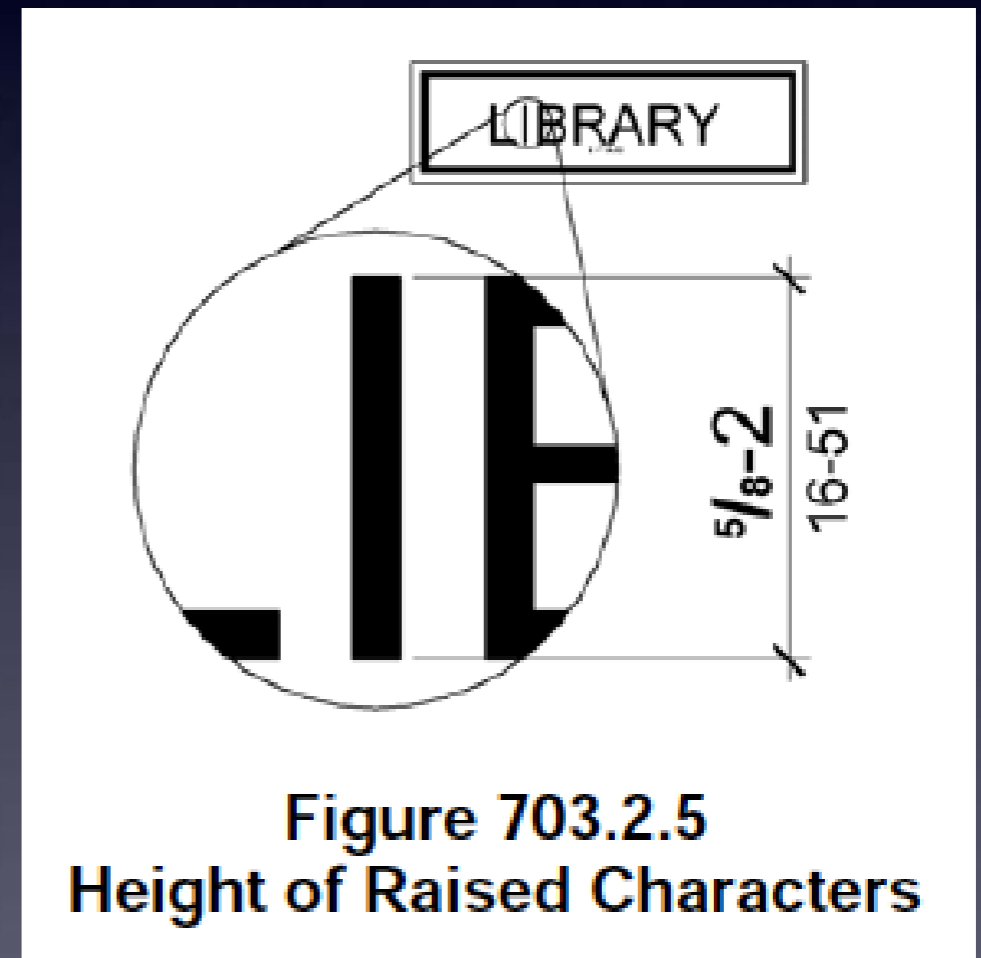


Figure 703.2.5
Height of Raised Characters

Tactile Sign: Exit Stair?



Directional and Informational Signs



Location of Tactile Signs

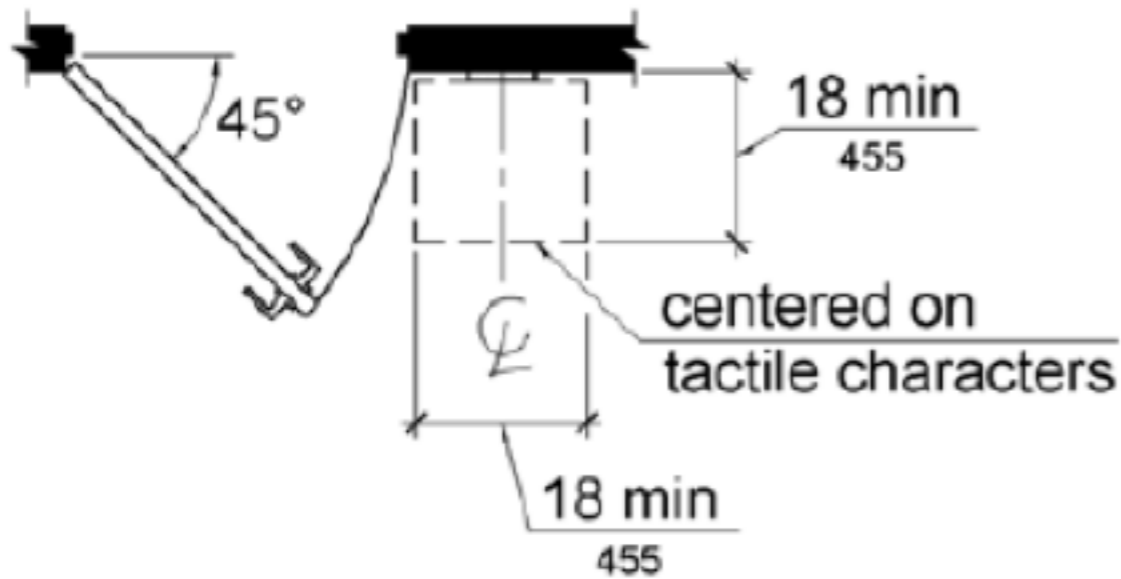


Figure 703.4.2
Location of Tactile Signs at Doors

Pull Side



Tactile Signs -- Push Side

703.4.2 Location

EXCEPTION: Signs with tactile characters shall be permitted on the push side of doors with closers and without hold-open devices.



Chapter 8 Special Rooms, Spaces, and Elements

Wheelchair Spaces, Companion Seats, and Designated Aisle Seats

Dressing, Fitting, and Locker Rooms

Kitchens and Kitchenettes

Medical Care and Long-Term Care Facilities

Transient Lodging Guest Rooms

Holding Cells and Housing Cells

Courtrooms

Residential Dwelling Units

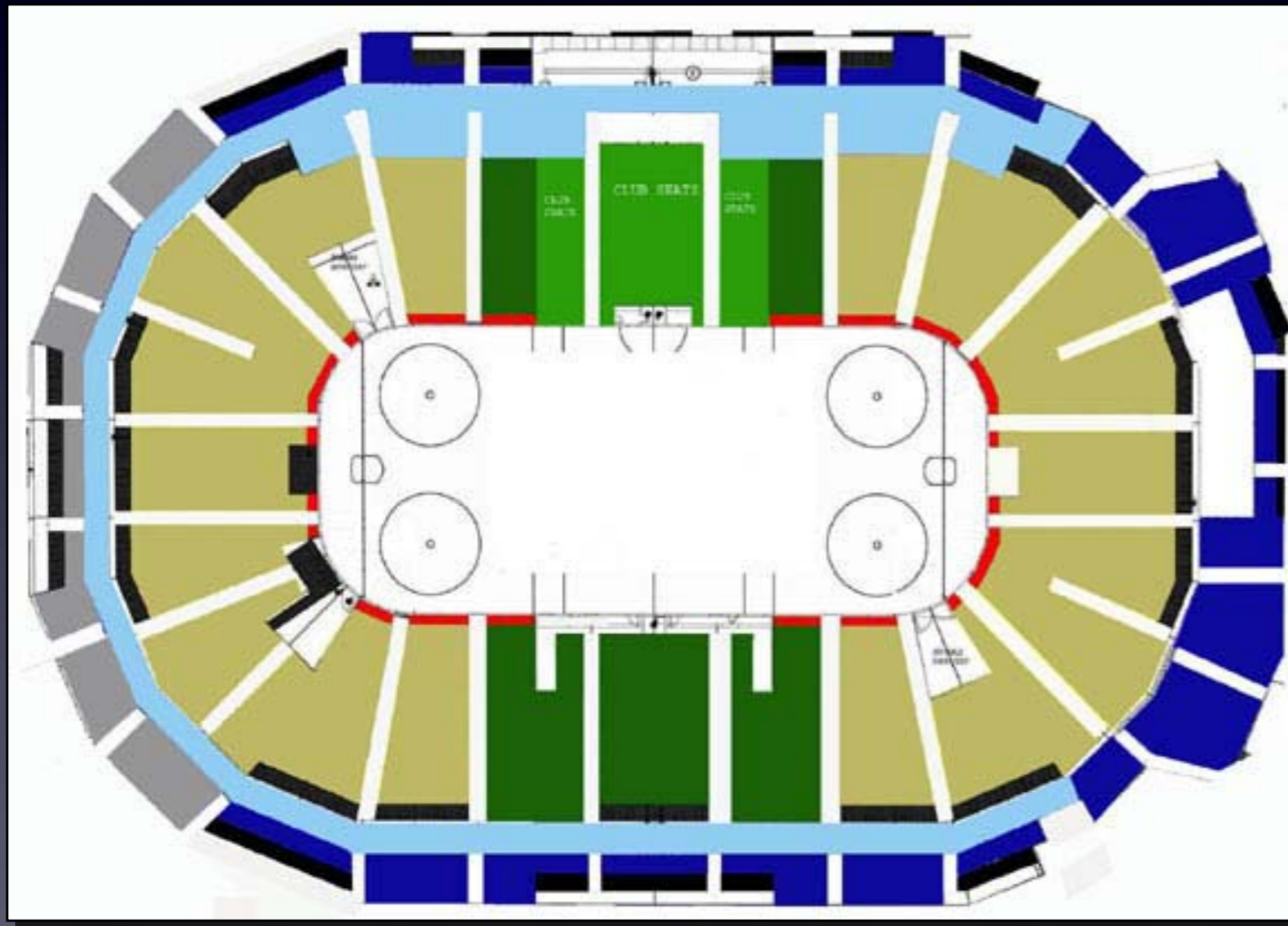
Transportation Facilities

Storage

Stadiums and Assembly Areas

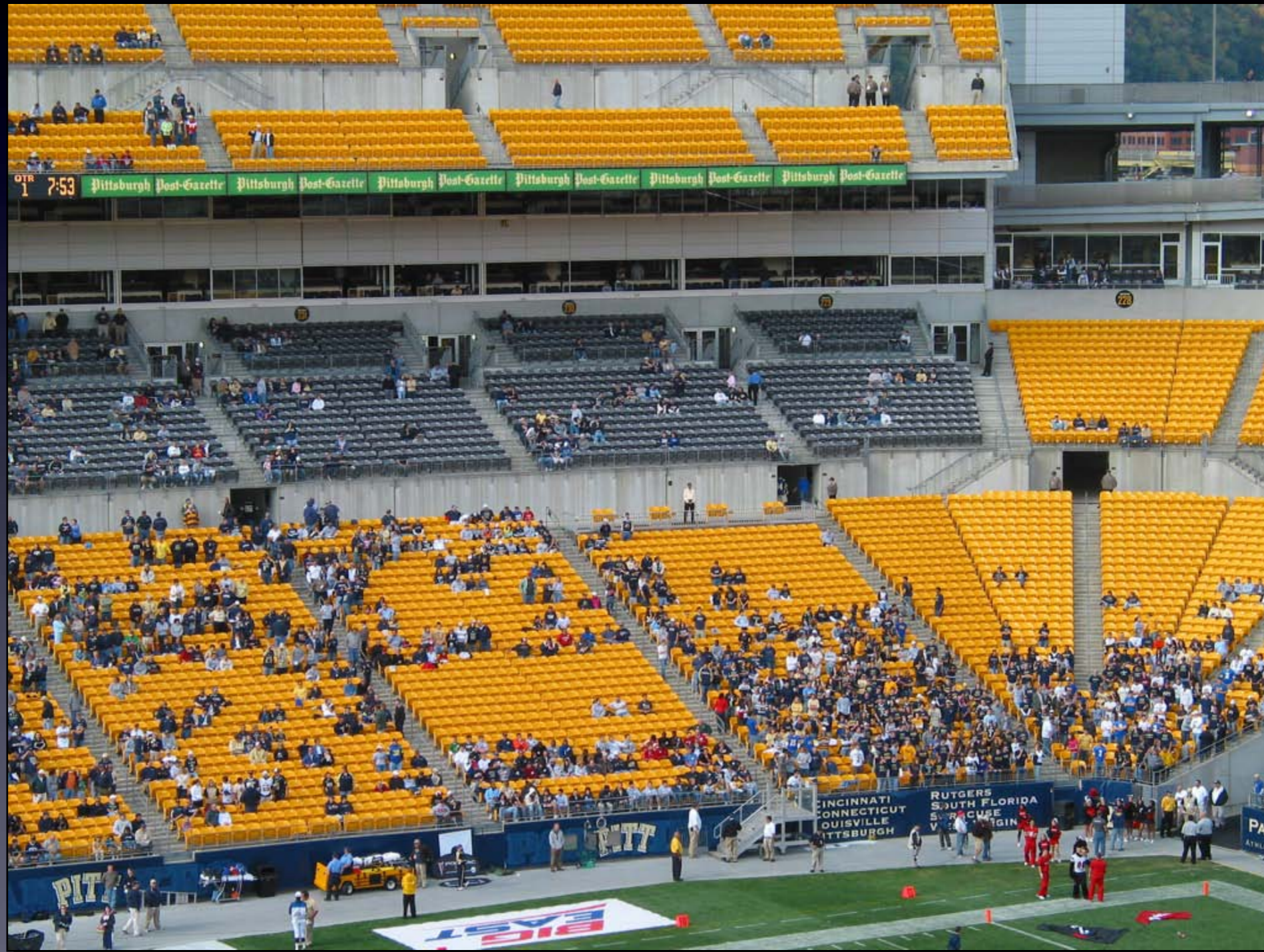


Horizontal Dispersion



Around the field of play or performance area

Vertical Dispersion



Bleachers

221.2.3.2. Vertical Dispersion

Exceptions:

2. In bleachers, wheelchair spaces shall not be required to be provided in rows other than rows at points of entry to bleacher seating.

Choose entry points that will provide wheelchair spaces with viewing angles that are substantially equivalent to or better than those of all other spectators.

Chapter 9: Built-in Elements

Dining Surfaces and Work
Surfaces

Benches

Check-Out Aisles and Sales and
Service Counters

Dining and Work Surfaces

226 and 902



Sales and Service

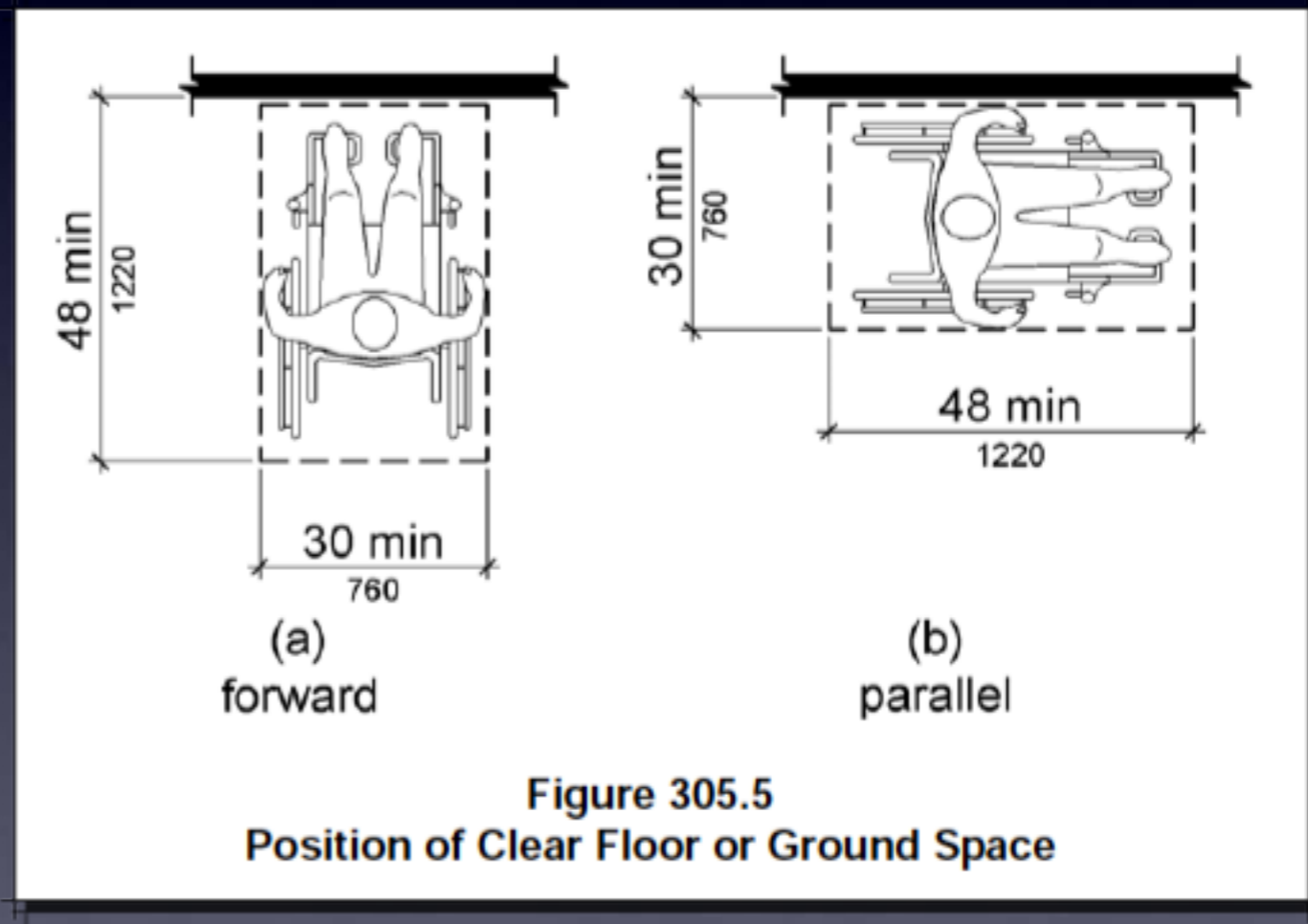
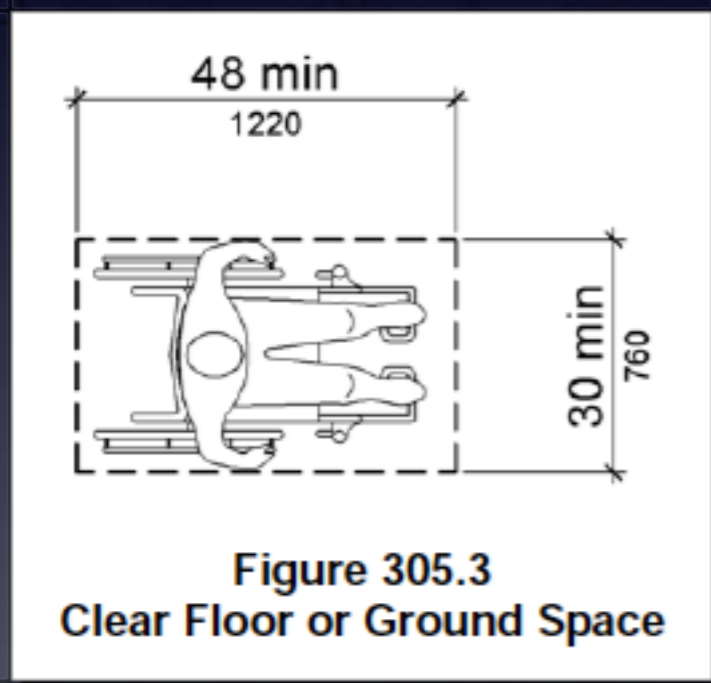
227 and 904



Sales and Service Counters



Clear Floor Space at Counters



Sections 234 – 243 & Chapter 10: Recreation Facilities

- ▶ Amusement Rides
- ▶ Recreational Boating Facilities
- ▶ Exercise Machines and Equipment
- ▶ Fishing Piers and Platforms
- ▶ Golf Facilities
- ▶ Miniature Golf Facilities
- ▶ Play Areas
- ▶ Swimming Pools, Wading Pools, and Spas
- ▶ Shooting Facilities with Firing Positions

Exercise Facilities

Section 236 Exercise
Machines and
Equipment

Section 1004
Exercise Machines
and Equipment



Fishing Piers and Platforms

Sections 237 and 1005



Golf Facilities

Section 238 Golf Facilities

Section 1006 Golf Facilities



Miniature Golf Facilities

Section 239
Miniature Golf
Facilities



Section 1007
Miniature Golf
Facilities



Play Areas

Section
240 Play
Areas

Section
1008 Play
Areas



Swimming Pools, Wading Pools, and Spas

Sections
242
and
1009



235 & 1003 Recreational Boating Facilities



CONTACT



Jim Bostrom

202 - 307 - 2584

jim.bostrom@usdoj.gov

Questions

